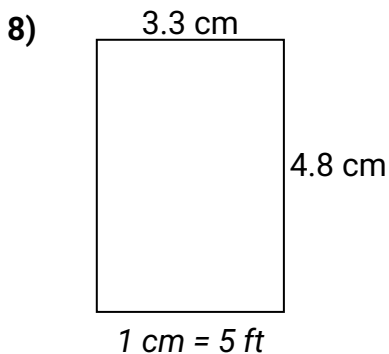
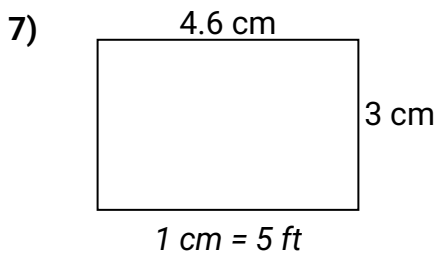
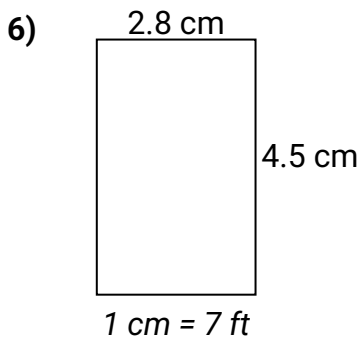
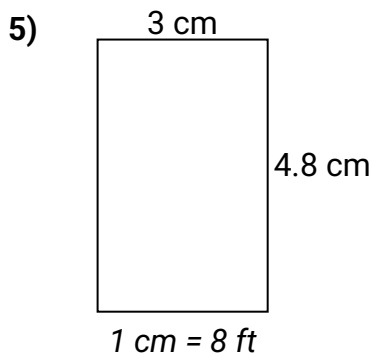
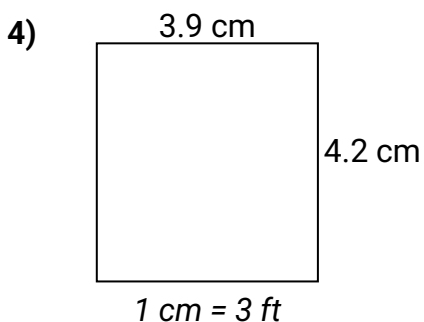
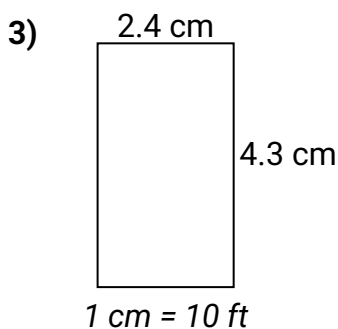
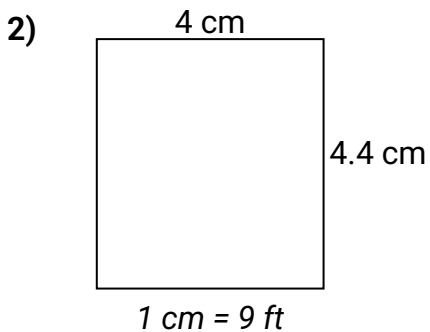
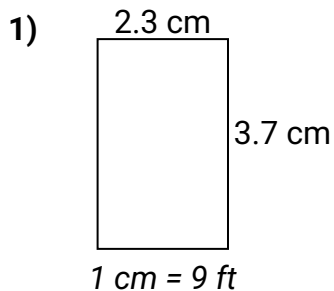




Determine the actual width, height and area of each scale rectangle.

Round the area to the nearest whole number.



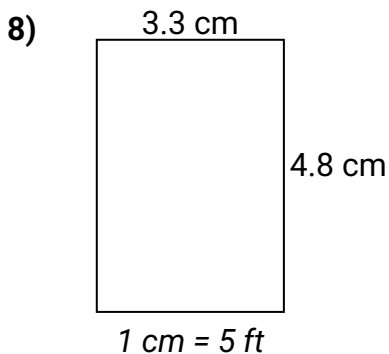
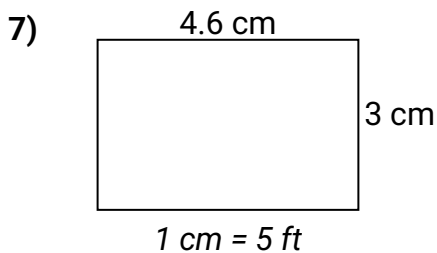
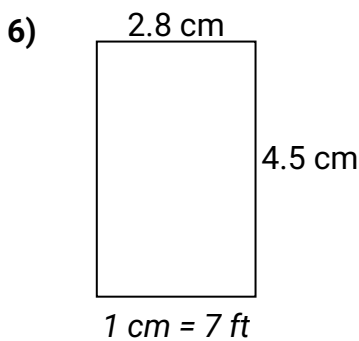
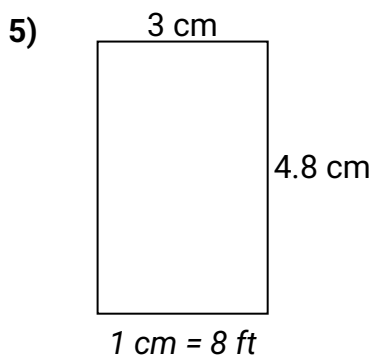
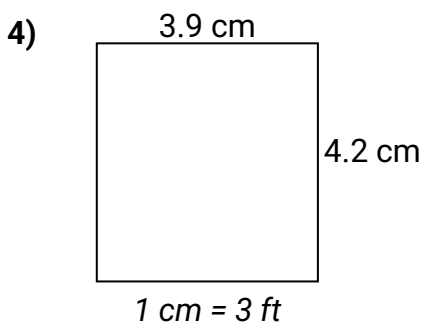
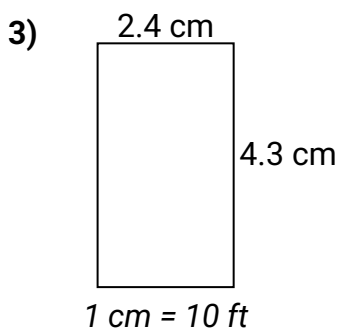
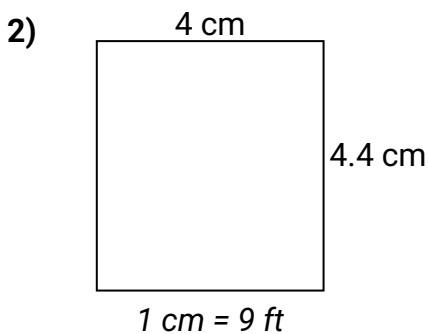
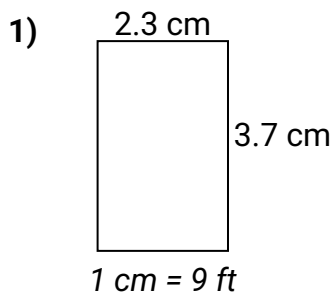
Answers

- 1. _____
- 2. _____
- 3. _____
- 4. _____
- 5. _____
- 6. _____
- 7. _____
- 8. _____



Determine the actual width, height and area of each scale rectangle.

Round the area to the nearest whole number.



Answers

- 1. 20.7 33.3 689
- 2. 36 39.6 1,426
- 3. 24 43 1,032
- 4. 11.7 12.6 147
- 5. 24 38.4 922
- 6. 19.6 31.5 617
- 7. 23 15 345
- 8. 16.5 24 396