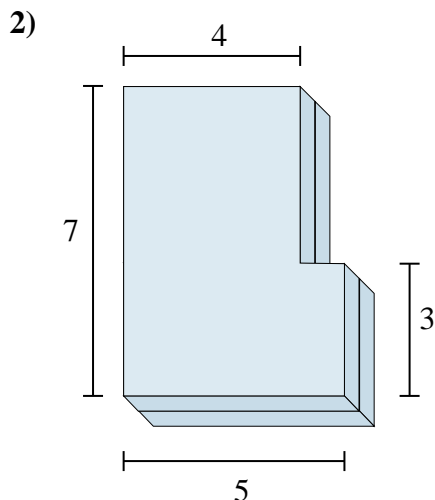
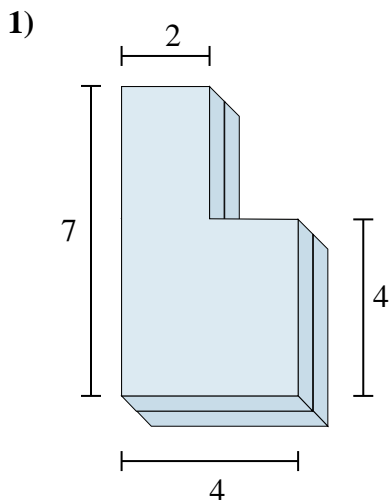


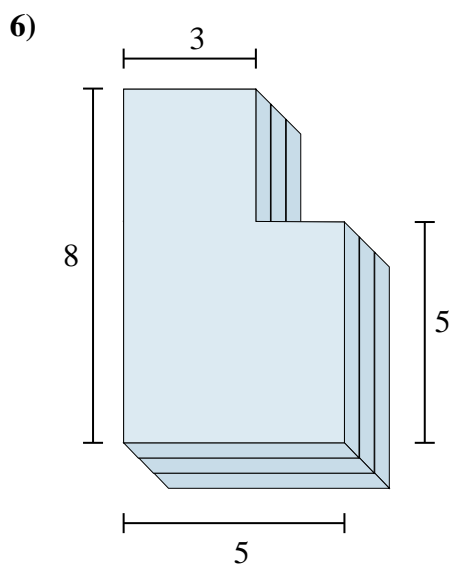
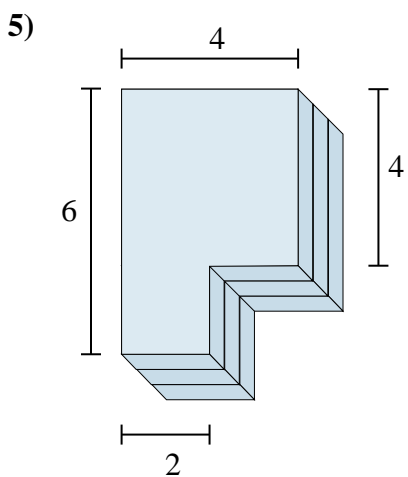
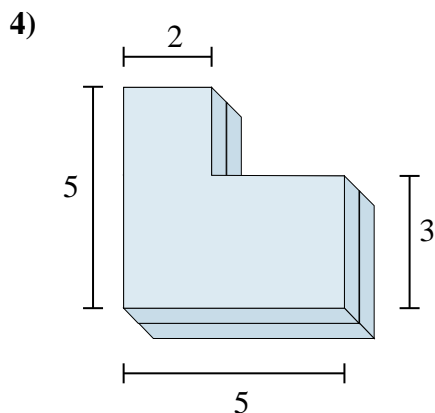
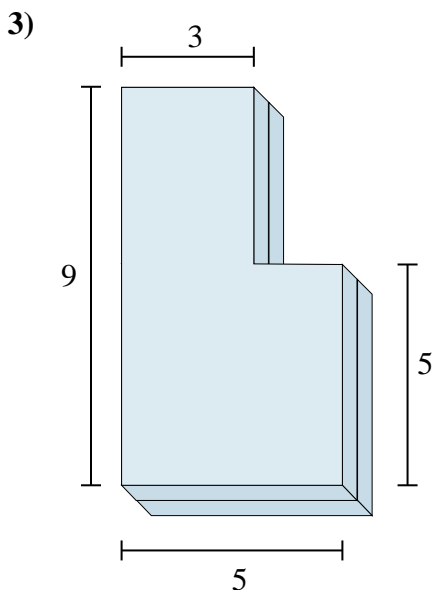


Find the total volume of each figure shown. Measured in cm (not to scale).

Answers

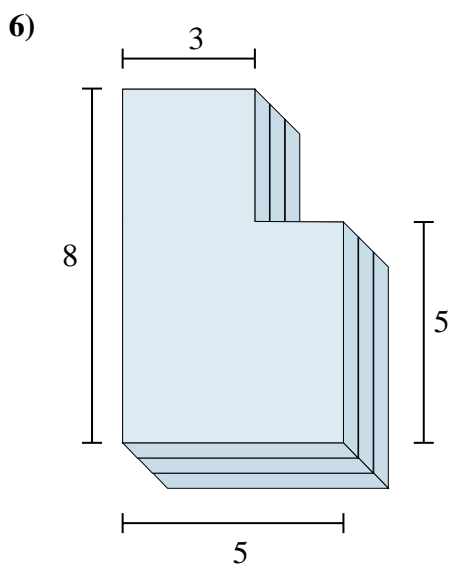
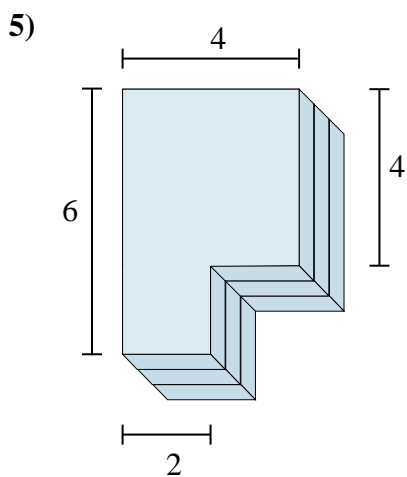
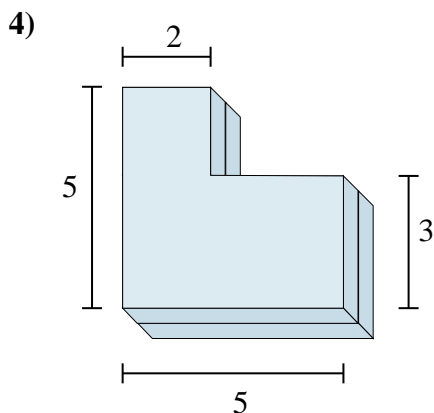
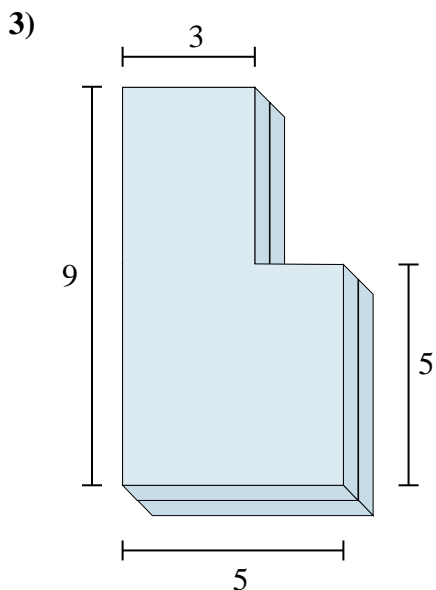
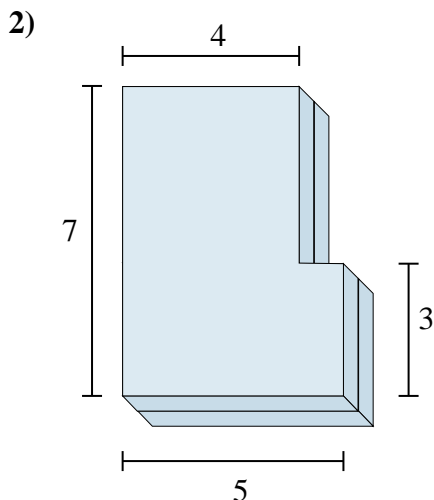
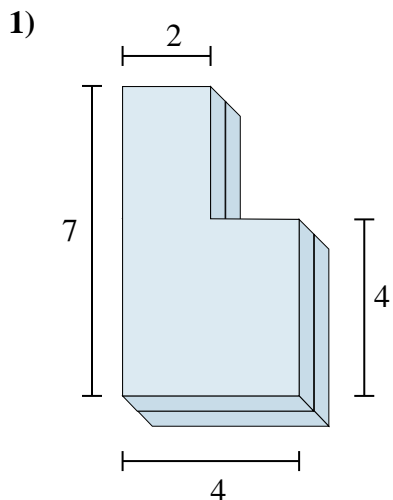


- 1. _____
- 2. _____
- 3. _____
- 4. _____
- 5. _____
- 6. _____





Find the total volume of each figure shown. Measured in cm (not to scale).



Answers

1. 44 cm³

2. 62 cm³

3. 74 cm³

4. 38 cm³

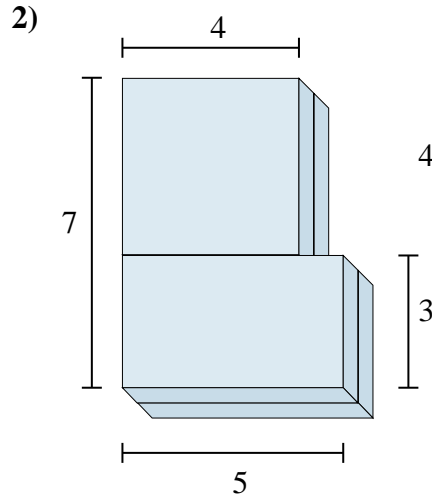
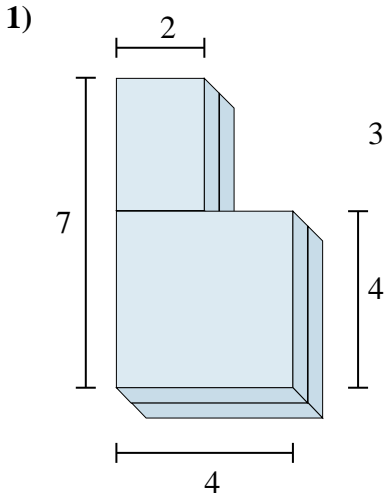
5. 60 cm³

6. 102 cm³



Find the total volume of each figure shown. Measured in cm (not to scale).

Answers



- 1. _____
- 2. _____
- 3. _____
- 4. _____
- 5. _____
- 6. _____

