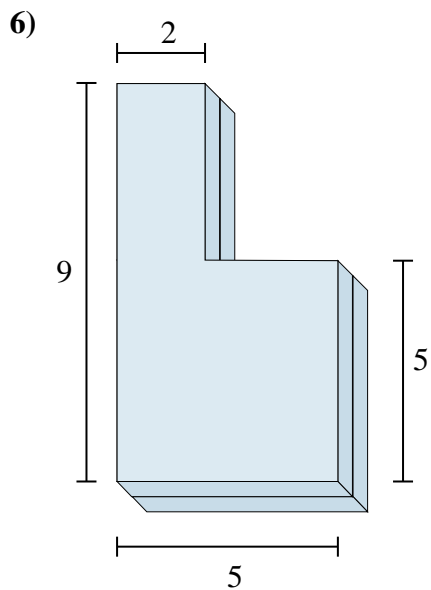
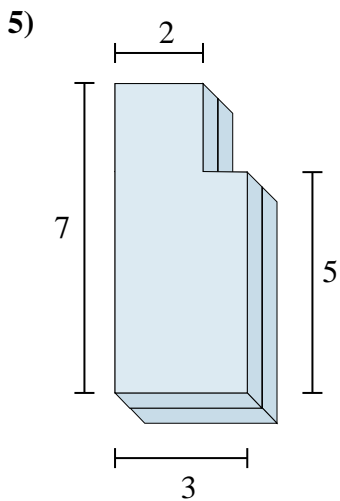
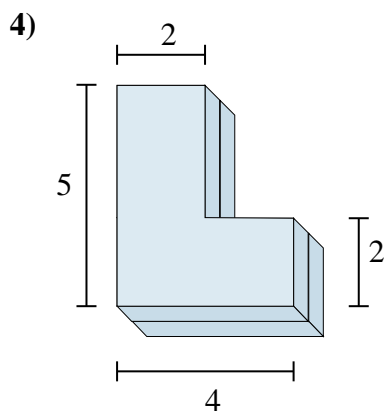
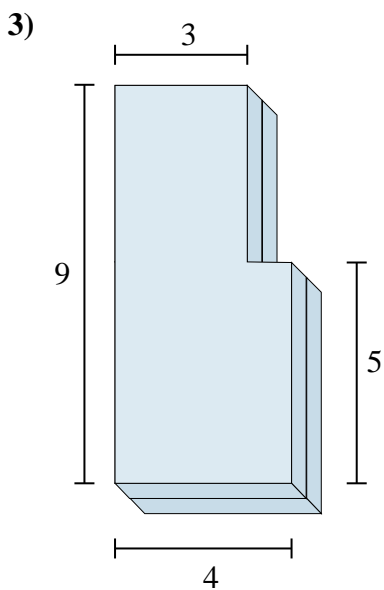
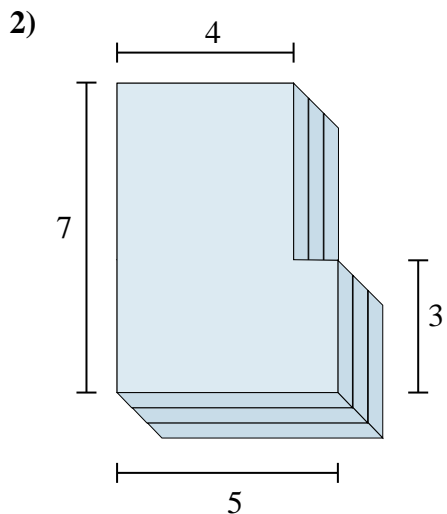
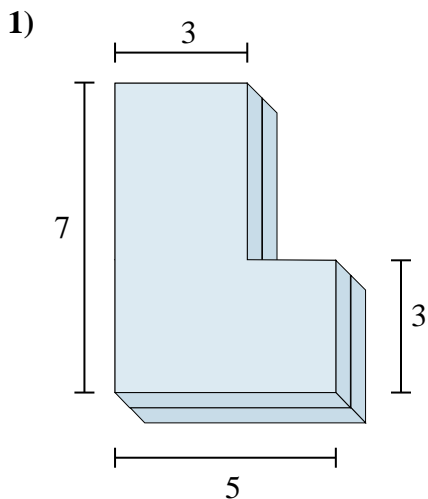




Find the total volume of each figure shown. Measured in cm (not to scale).



Answers

1. _____

2. _____

3. _____

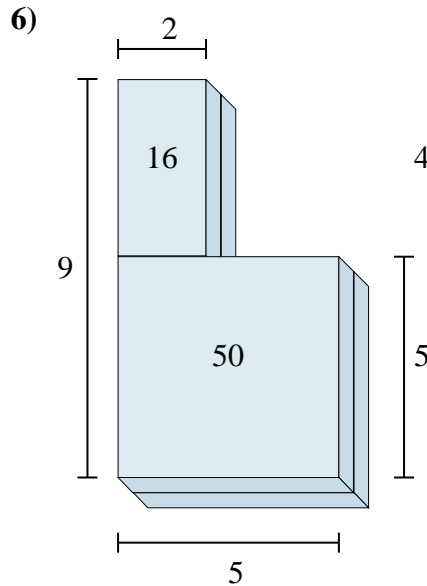
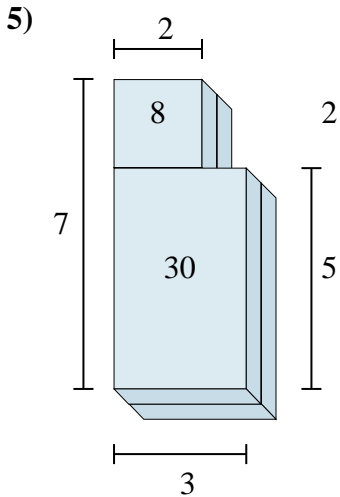
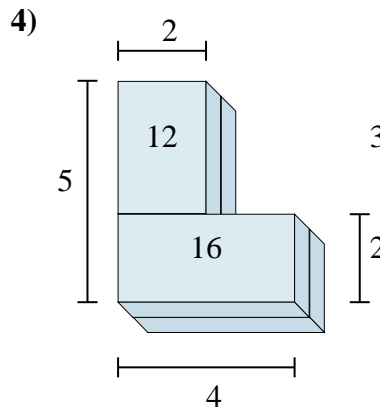
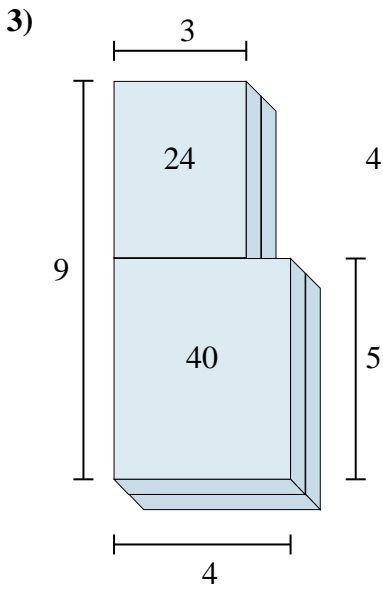
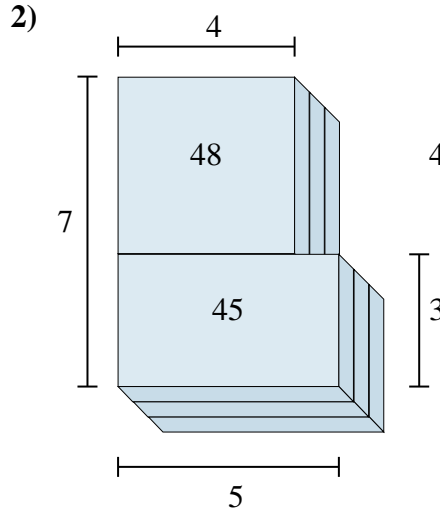
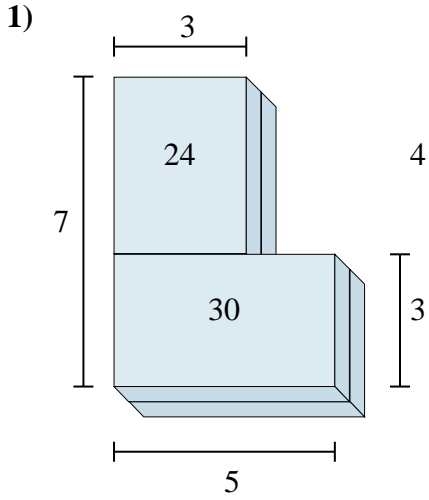
4. _____

5. _____

6. _____



Find the total volume of each figure shown. Measured in cm (not to scale).



Answers

1. 54 cm³

2. 93 cm³

3. 64 cm³

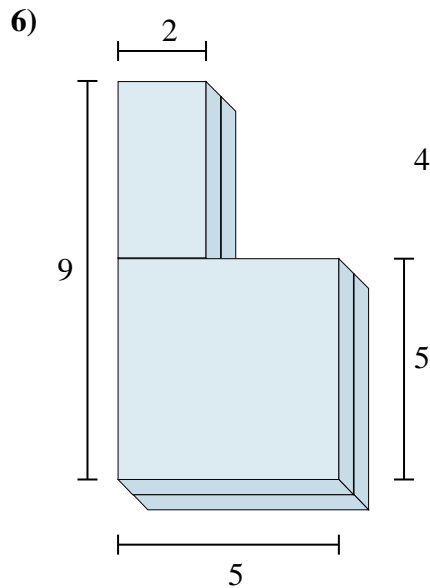
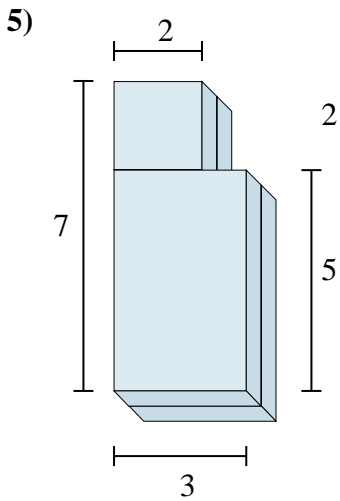
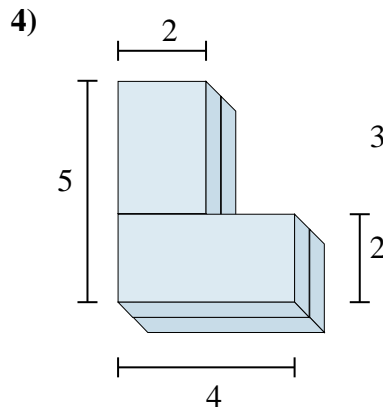
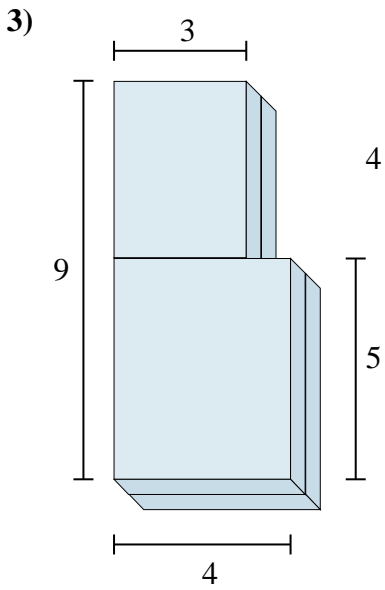
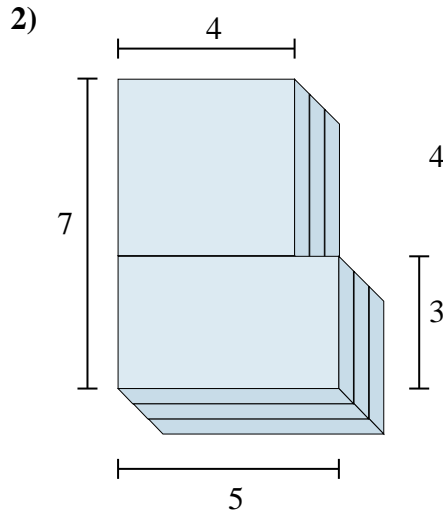
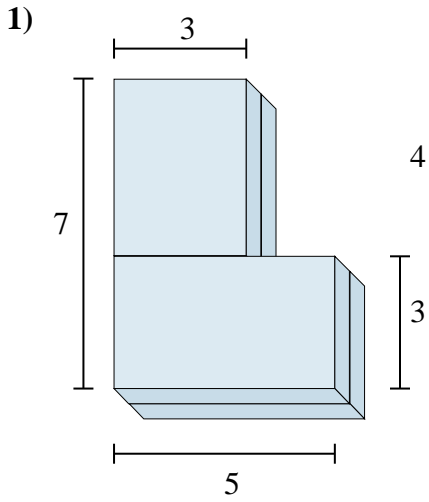
4. 28 cm³

5. 38 cm³

6. 66 cm³



Find the total volume of each figure shown. Measured in cm (not to scale).



Answers

1. _____

2. _____

3. _____

4. _____

5. _____

6. _____