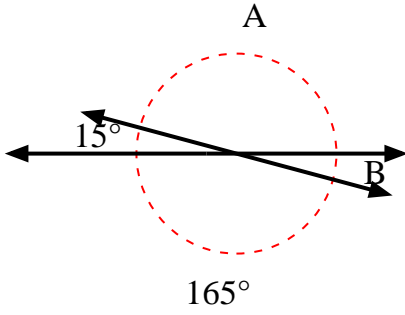


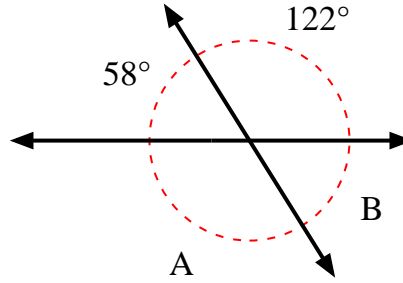


Find the value of angle 'A' and angle 'B'.

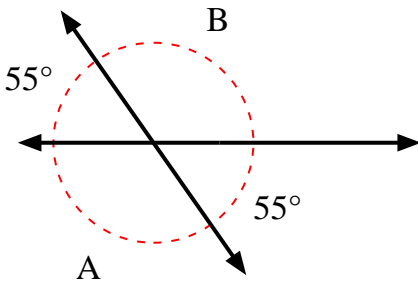
1)



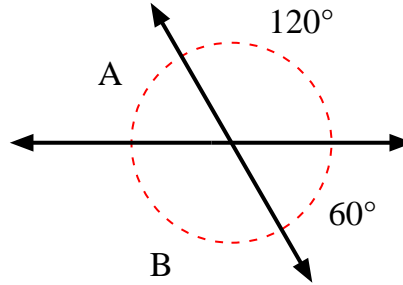
2)



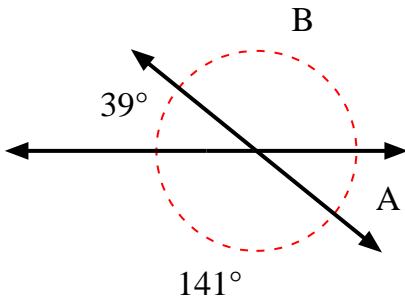
3)



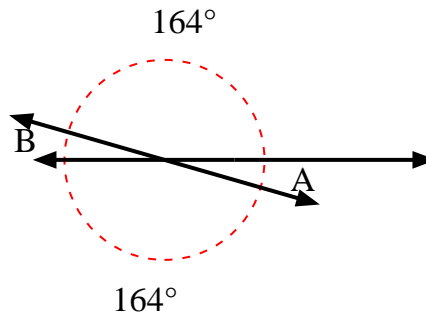
4)



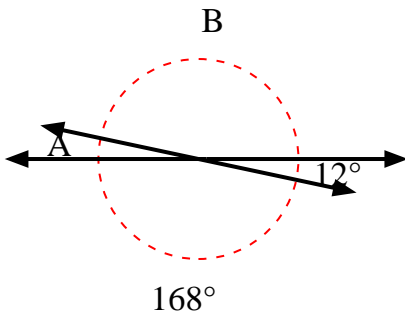
5)



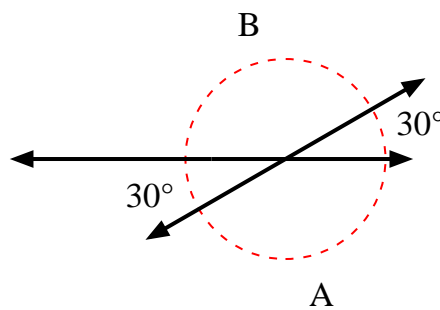
6)



7)



8)



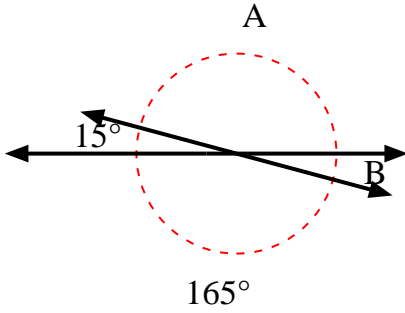
Answers

1. \_\_\_\_\_
2. \_\_\_\_\_
3. \_\_\_\_\_
4. \_\_\_\_\_
5. \_\_\_\_\_
6. \_\_\_\_\_
7. \_\_\_\_\_
8. \_\_\_\_\_

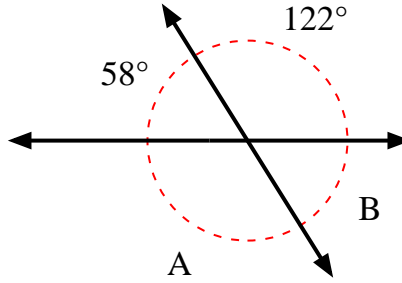


Find the value of angle 'A' and angle 'B'.

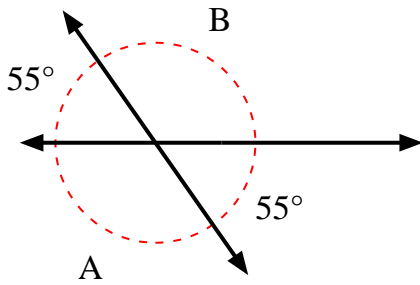
1)



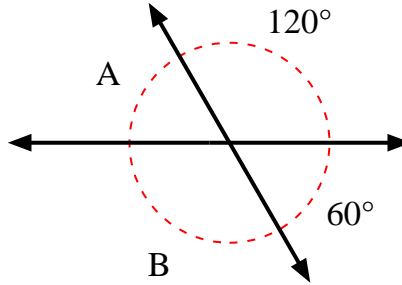
2)



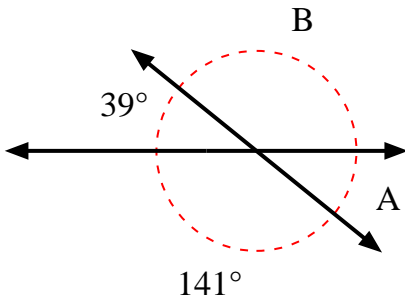
3)



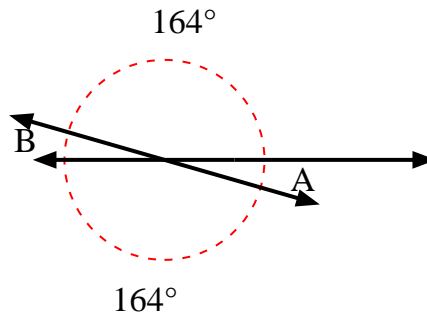
4)



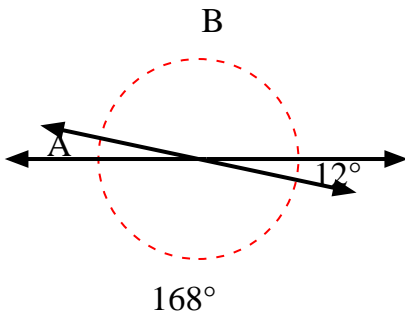
5)



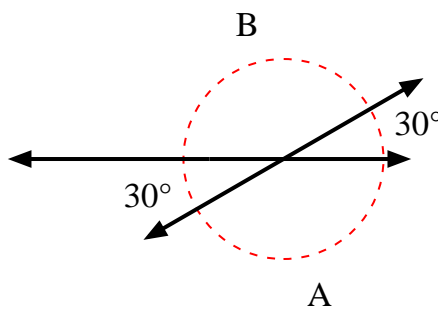
6)



7)



8)



Answers

1. 165° 15°
2. 122° 58°
3. 125° 125°
4. 60° 120°
5. 39° 141°
6. 16° 16°
7. 12° 168°
8. 150° 150°