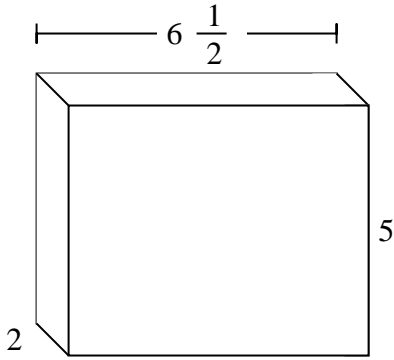


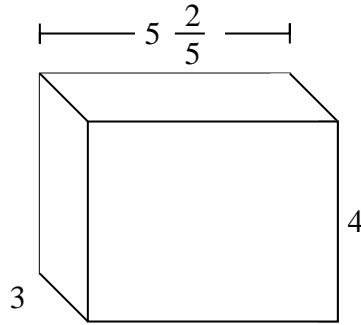


Fill each rectangular prism with cubes to determine the volume. Each prism's unit is measured in cm (not to scale).

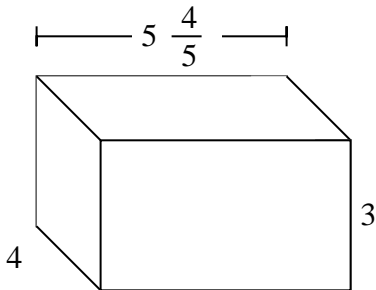
Ex)



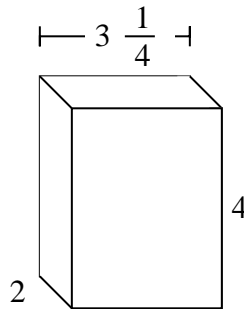
1)



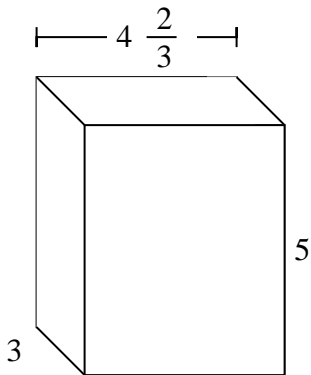
2)



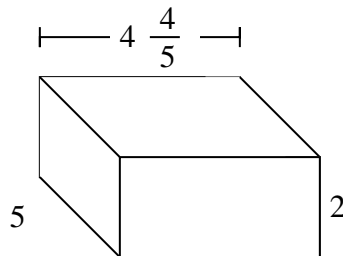
3)



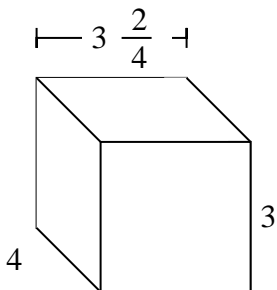
4)



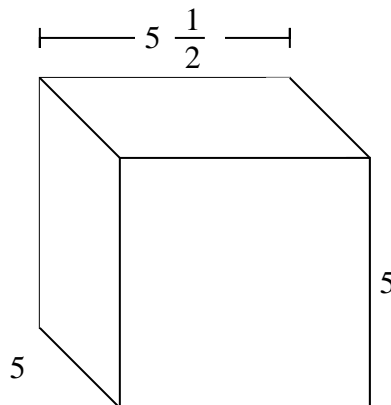
5)



6)



7)

AnswersEx. **65 cm**

1. _____

2. _____

3. _____

4. _____

5. _____

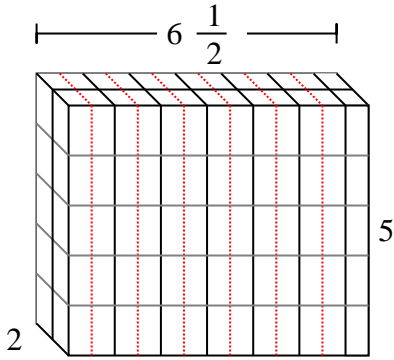
6. _____

7. _____

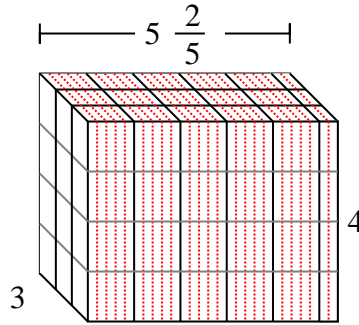


Fill each rectangular prism with cubes to determine the volume. Each prism's unit is measured in cm (not to scale).

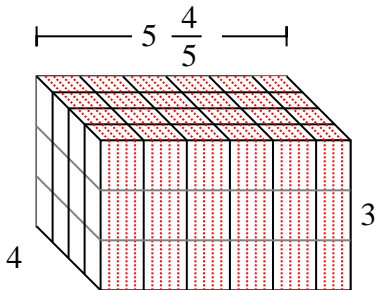
Ex)



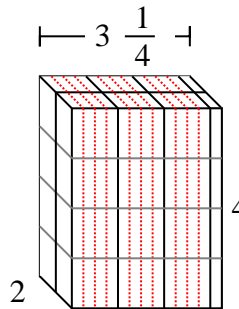
1)

Ex. 65 cm

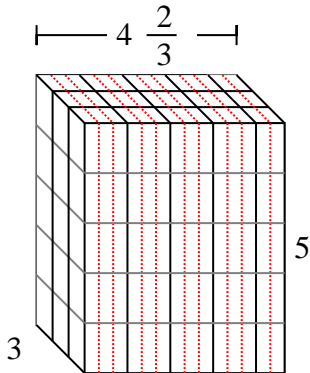
2)



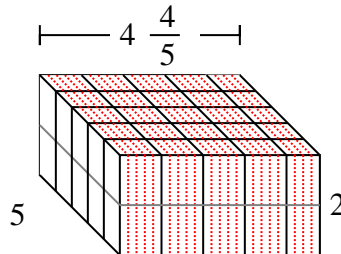
3)

1. 64 4/5 cm2. 69 3/5 cm3. 26 cm4. 70 cm5. 48 cm6. 42 cm7. 137 1/2 cm

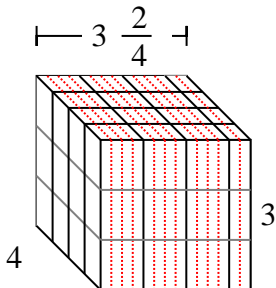
4)



5)



6)



7)

