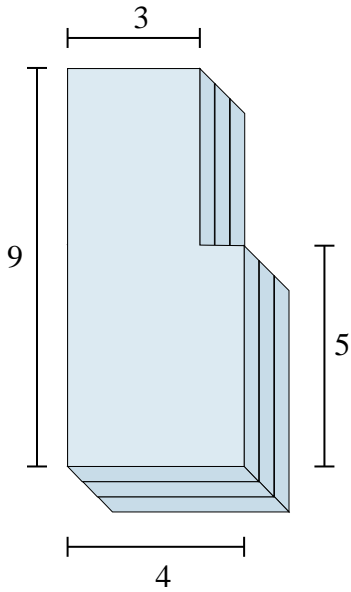




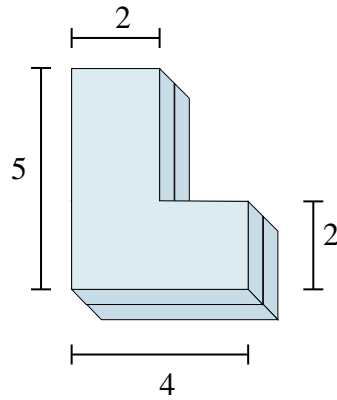
Find the total volume of each figure shown. Measured in cm (not to scale).

Answers

1)



2)



1. \_\_\_\_\_

2. \_\_\_\_\_

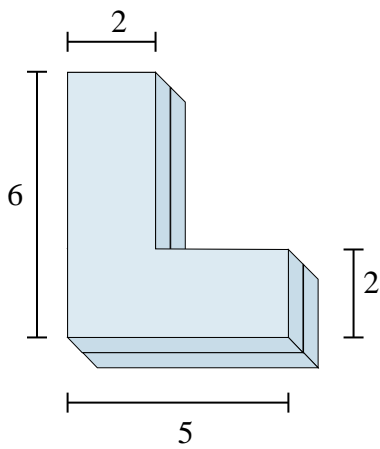
3. \_\_\_\_\_

4. \_\_\_\_\_

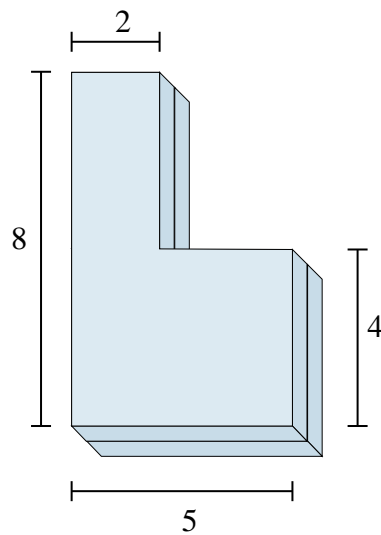
5. \_\_\_\_\_

6. \_\_\_\_\_

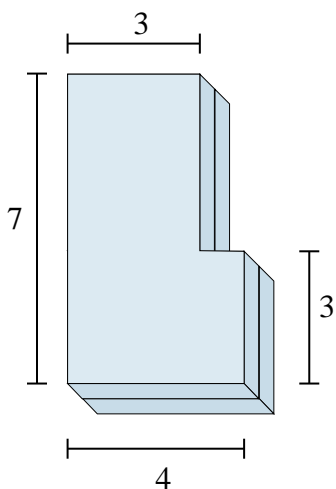
3)



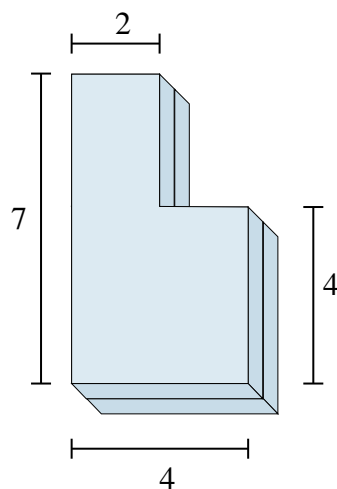
4)



5)

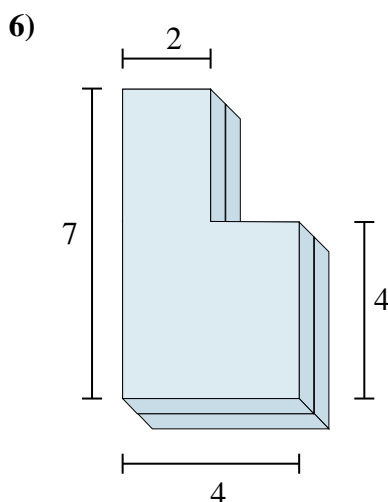
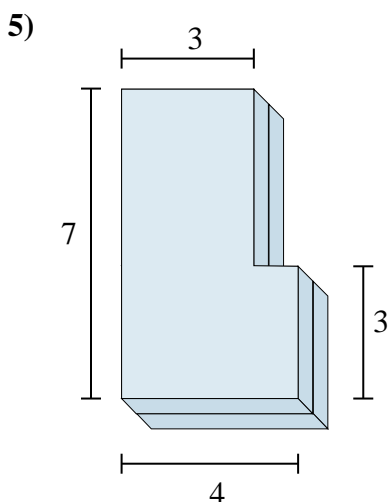
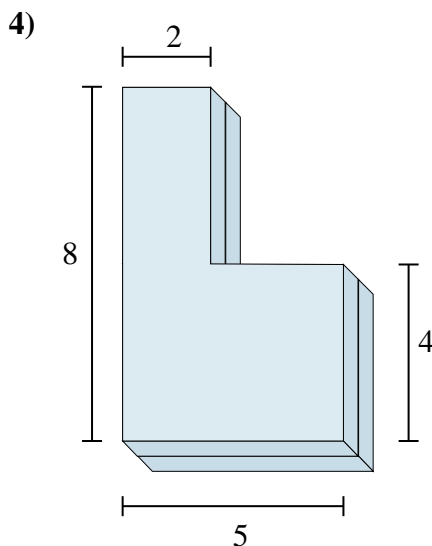
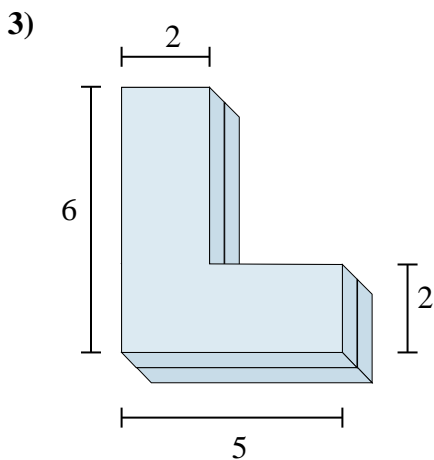
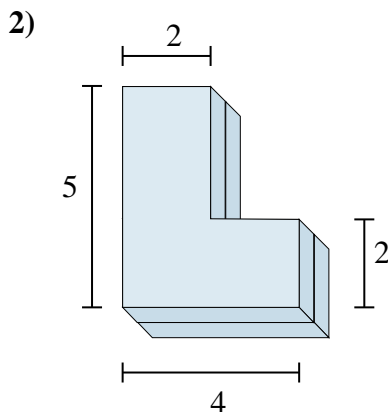
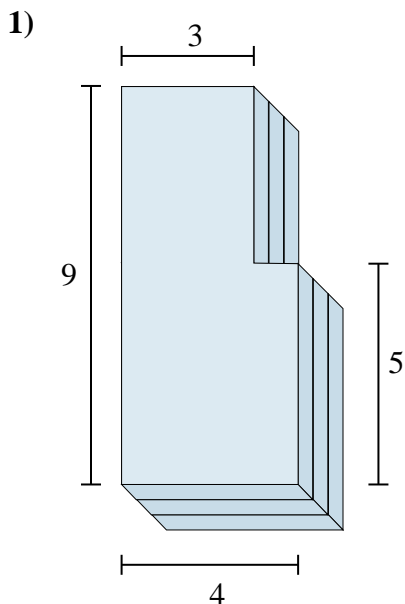


6)





Find the total volume of each figure shown. Measured in cm (not to scale).



Answers

1. **96 cm<sup>3</sup>**

2. **28 cm<sup>3</sup>**

3. **36 cm<sup>3</sup>**

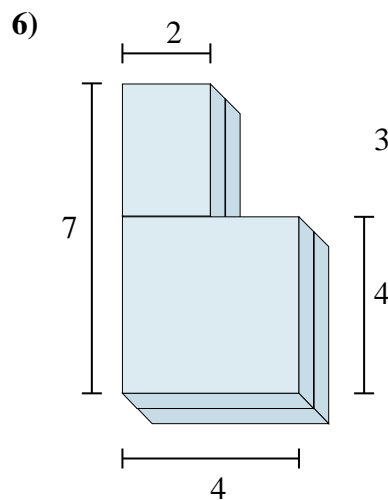
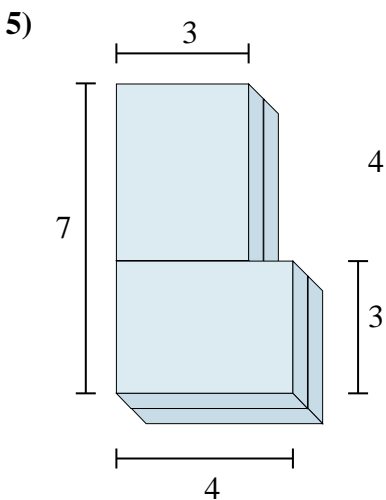
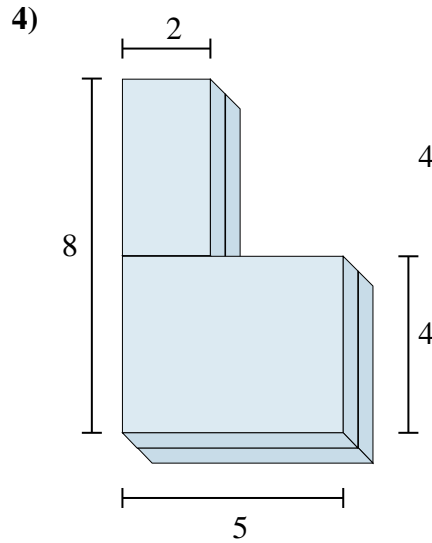
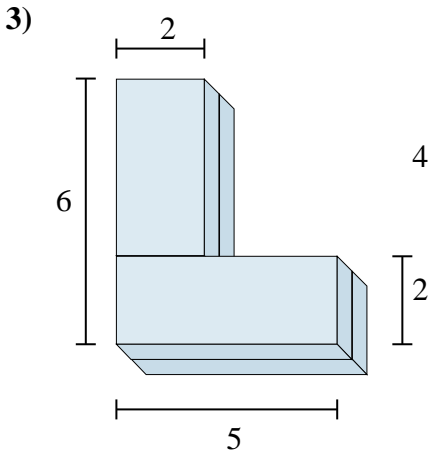
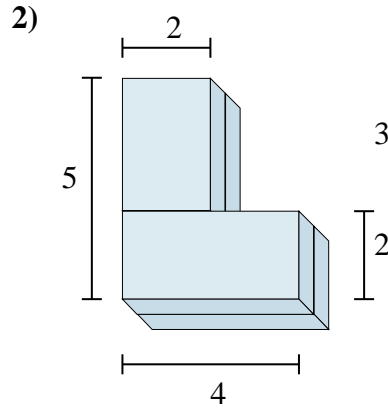
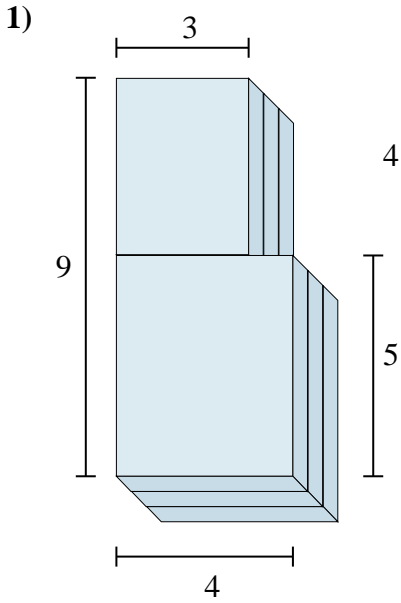
4. **56 cm<sup>3</sup>**

5. **48 cm<sup>3</sup>**

6. **44 cm<sup>3</sup>**



Find the total volume of each figure shown. Measured in cm (not to scale).



Answers

1. \_\_\_\_\_
2. \_\_\_\_\_
3. \_\_\_\_\_
4. \_\_\_\_\_
5. \_\_\_\_\_
6. \_\_\_\_\_