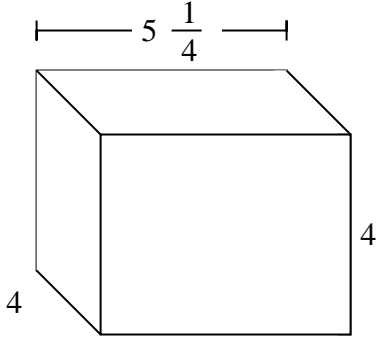


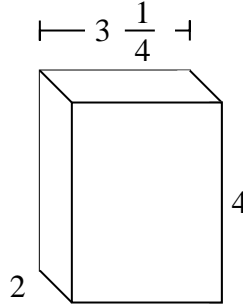


Fill each rectangular prism with cubes to determine the volume. Each prism's unit is measured in cm (not to scale).

Ex)



1)



Answers

Ex. **84 cm**

1. _____

2. _____

3. _____

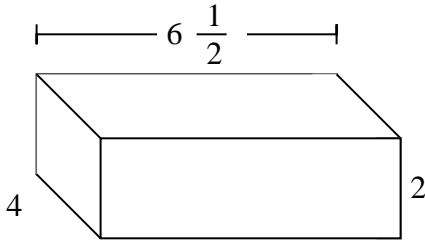
4. _____

5. _____

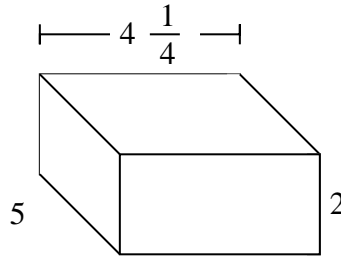
6. _____

7. _____

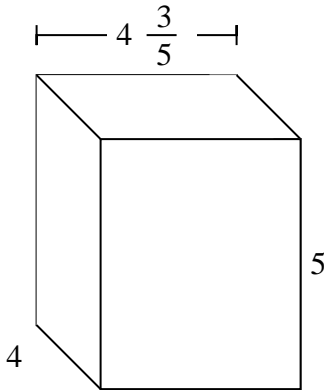
2)



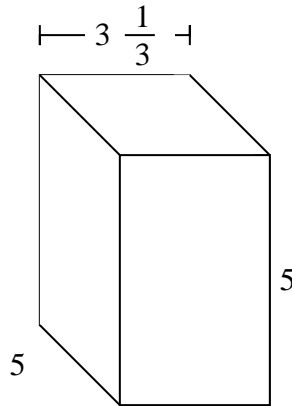
3)



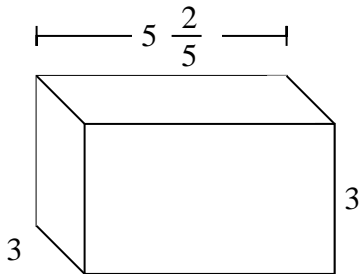
4)



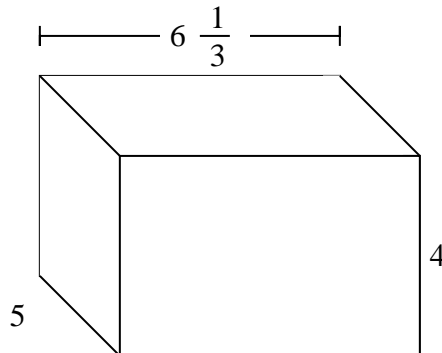
5)



6)



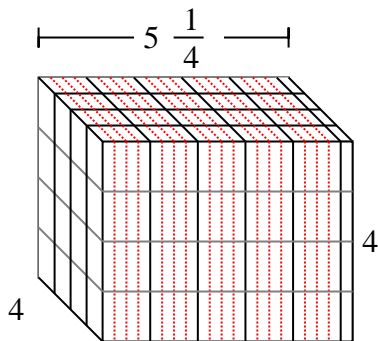
7)



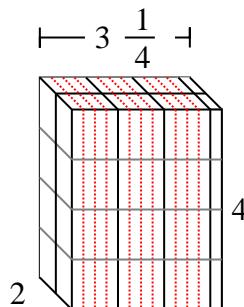


Fill each rectangular prism with cubes to determine the volume. Each prism's unit is measured in cm (not to scale).

Ex)



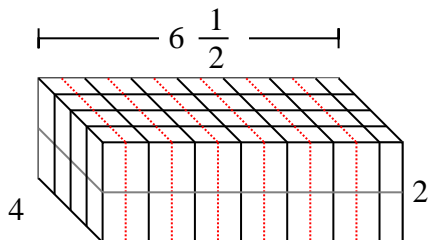
1)



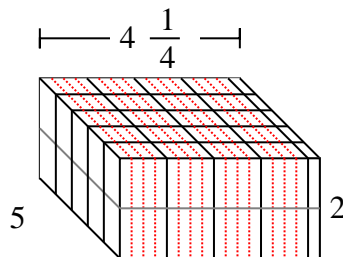
Ex.

84 cm

2)



3)



1.

26 cm

2.

52 cm

3.

 $42 \frac{2}{4}$ cm

4.

92 cm

5.

 $83 \frac{1}{3}$ cm

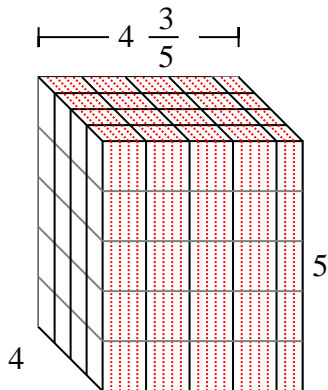
6.

 $48 \frac{3}{5}$ cm

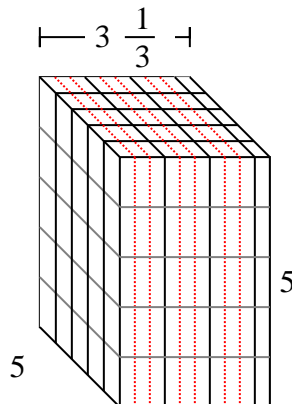
7.

 $126 \frac{2}{3}$ cm

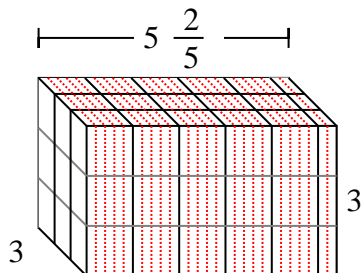
4)



5)



6)



7)

