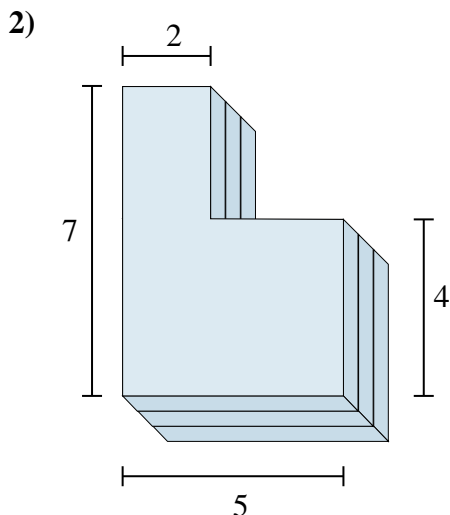
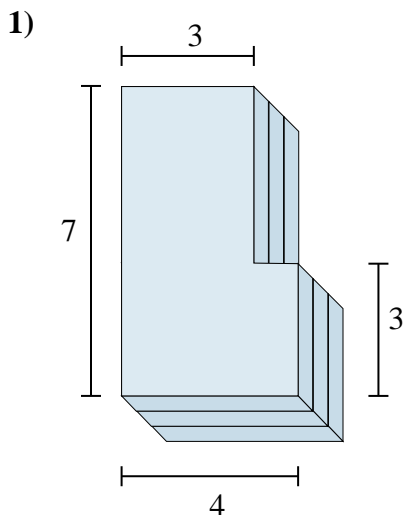


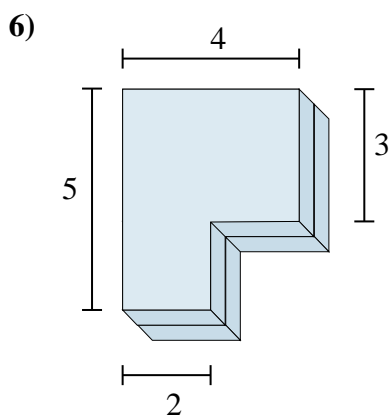
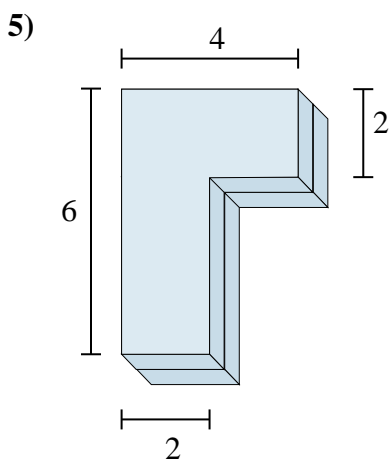
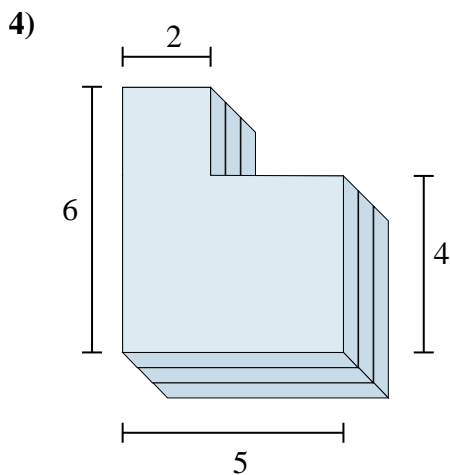
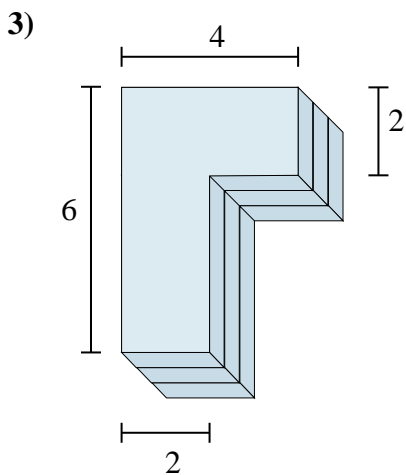


Find the total volume of each figure shown. Measured in cm (not to scale).

Answers

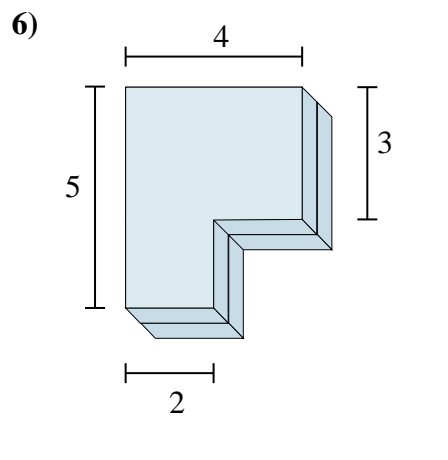
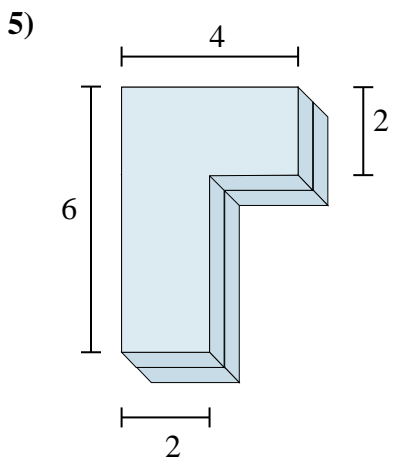
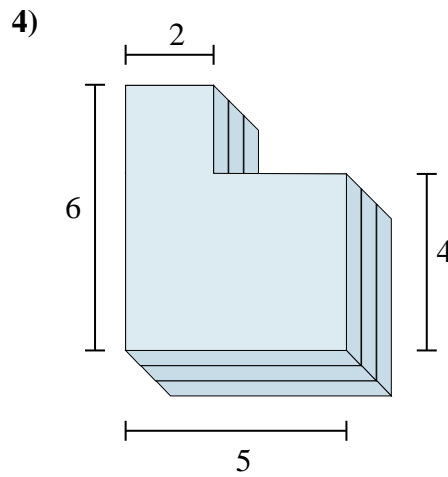
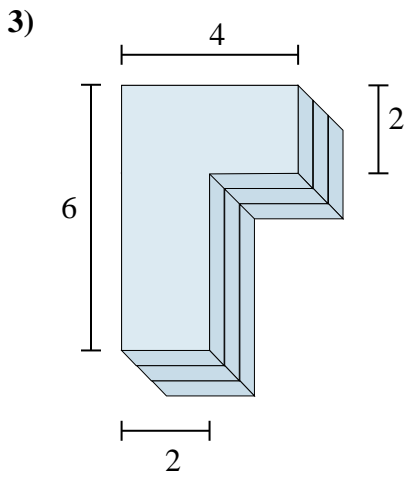
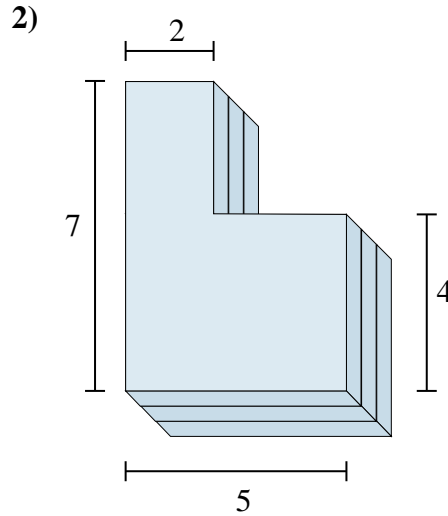
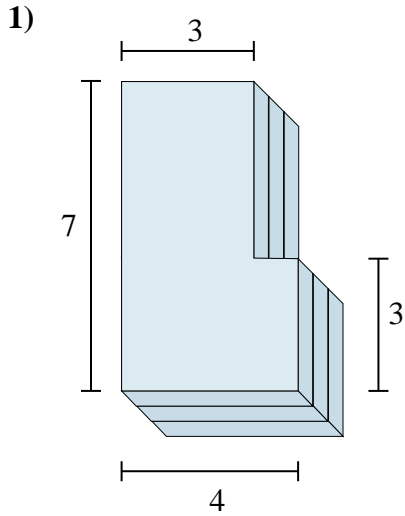


- 1. \_\_\_\_\_
- 2. \_\_\_\_\_
- 3. \_\_\_\_\_
- 4. \_\_\_\_\_
- 5. \_\_\_\_\_
- 6. \_\_\_\_\_





Find the total volume of each figure shown. Measured in cm (not to scale).



Answers

1. **72 cm<sup>3</sup>**

2. **78 cm<sup>3</sup>**

3. **48 cm<sup>3</sup>**

4. **72 cm<sup>3</sup>**

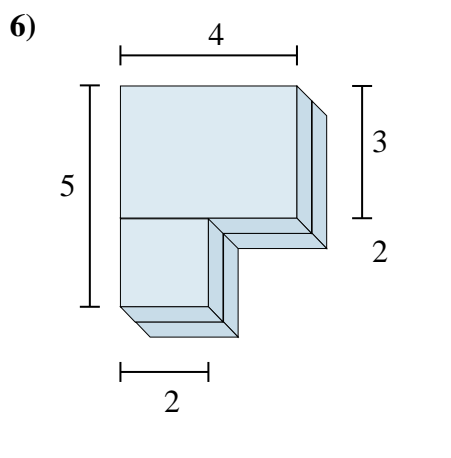
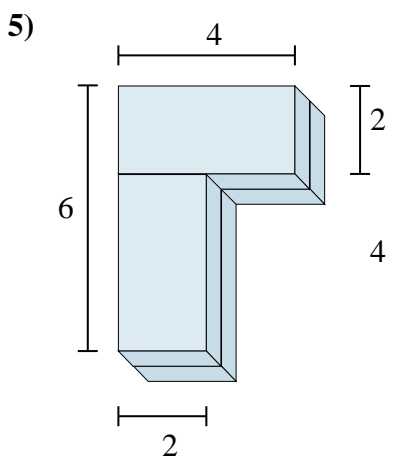
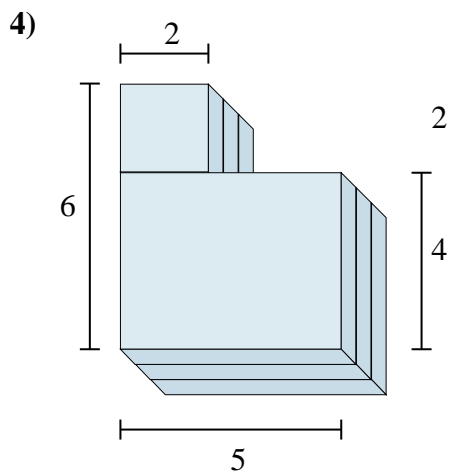
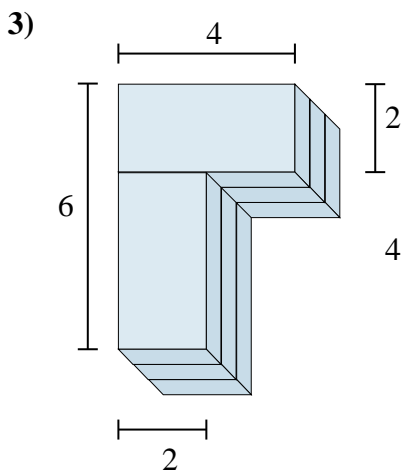
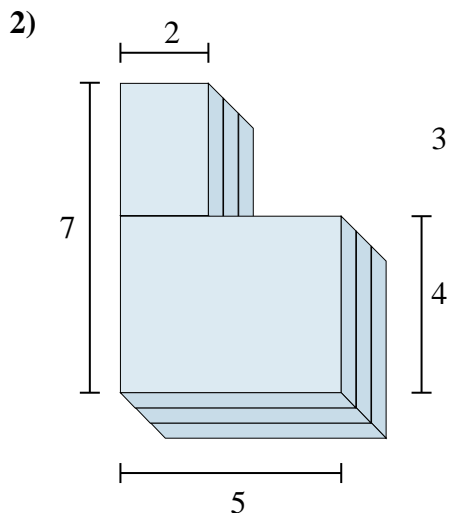
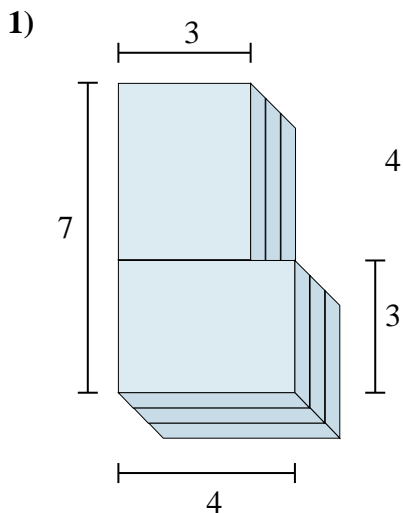
5. **32 cm<sup>3</sup>**

6. **32 cm<sup>3</sup>**



Find the total volume of each figure shown. Measured in cm (not to scale).

Answers



1. \_\_\_\_\_
2. \_\_\_\_\_
3. \_\_\_\_\_
4. \_\_\_\_\_
5. \_\_\_\_\_
6. \_\_\_\_\_