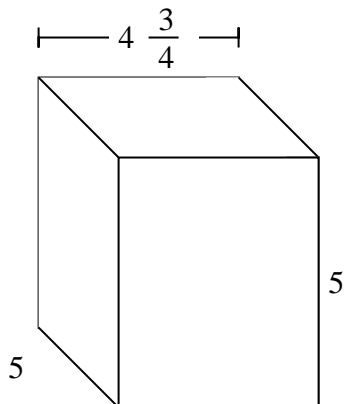


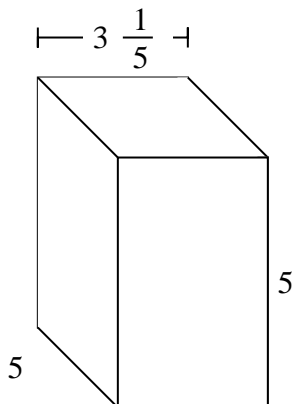


Fill each rectangular prism with cubes to determine the volume. Each prism's unit is measured in cm (not to scale).

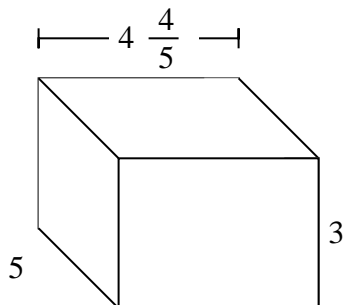
Ex)



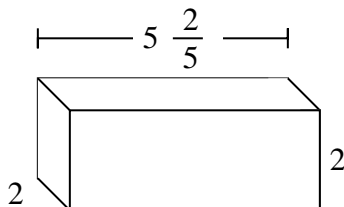
1)



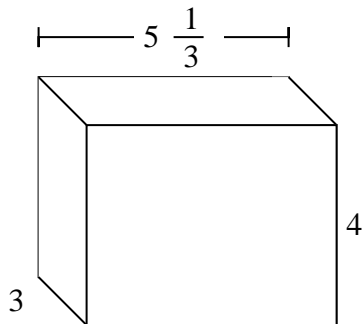
2)



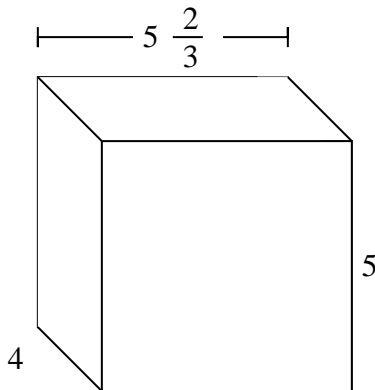
3)



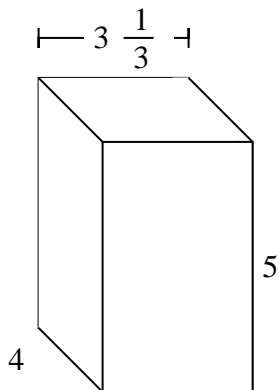
4)



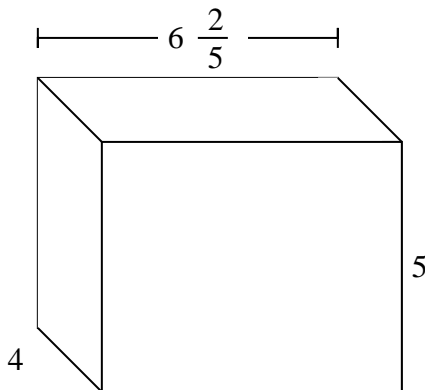
5)



6)



7)

AnswersEx. $118 \frac{3}{4}$ cm

1. _____

2. _____

3. _____

4. _____

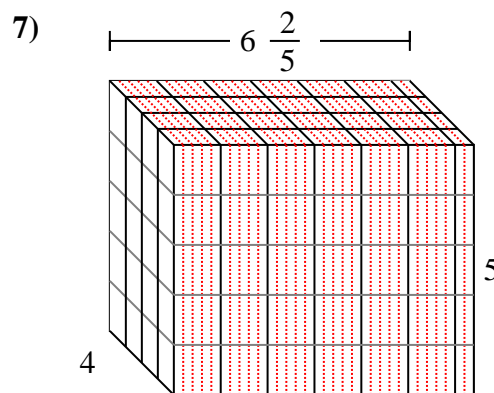
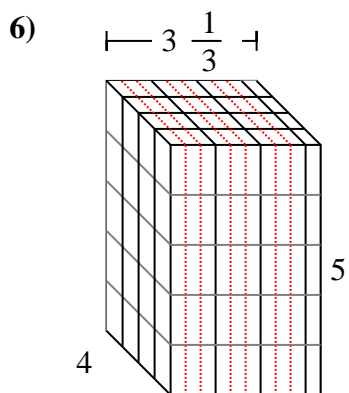
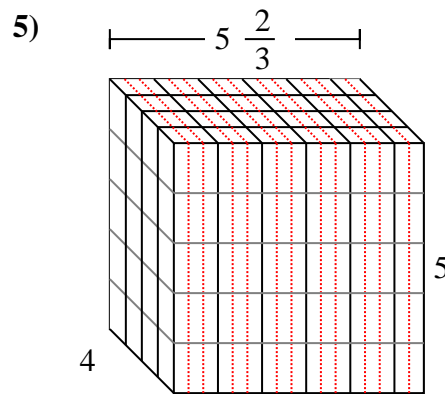
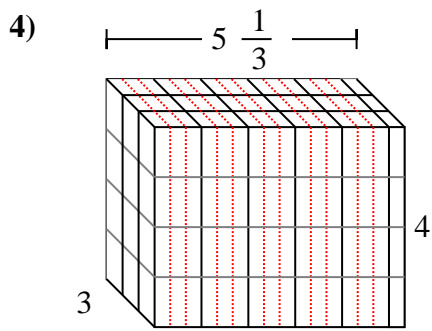
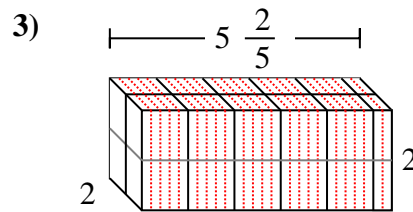
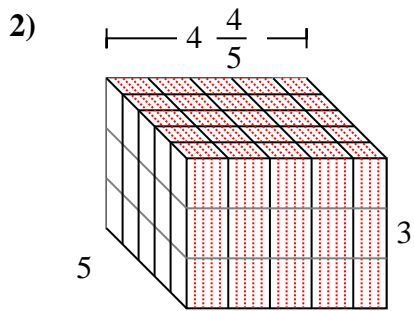
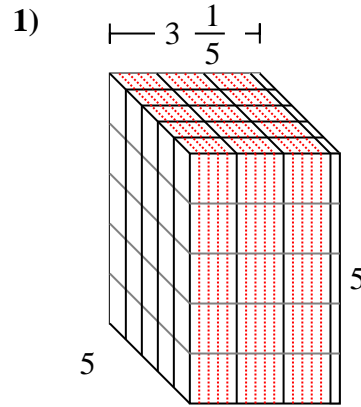
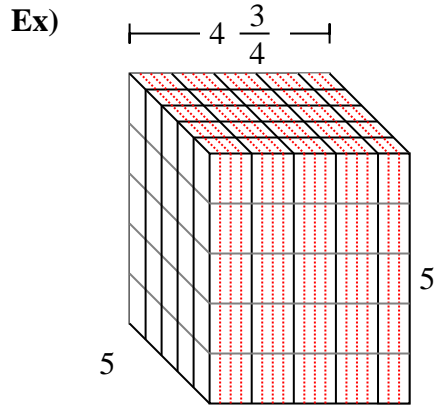
5. _____

6. _____

7. _____



Fill each rectangular prism with cubes to determine the volume. Each prism's unit is measured in cm (not to scale).

**Answers**Ex. $118 \frac{3}{4}$ cm1. 80 cm2. 72 cm3. $21 \frac{3}{5}$ cm4. 64 cm5. $113 \frac{1}{3}$ cm6. $66 \frac{2}{3}$ cm7. 128 cm