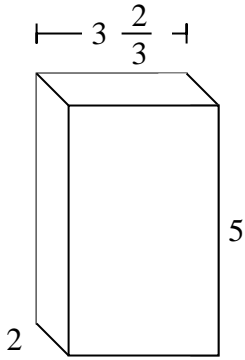


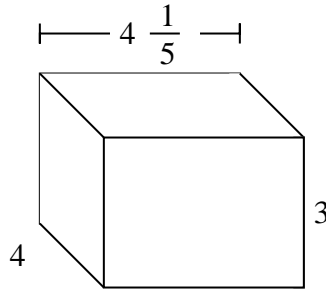


Fill each rectangular prism with cubes to determine the volume. Each prism's unit is measured in cm (not to scale).

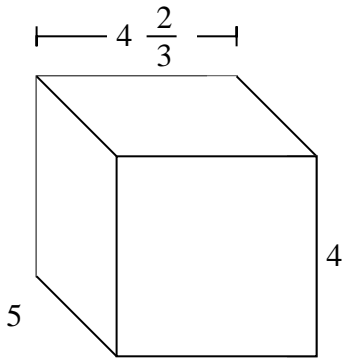
Ex)



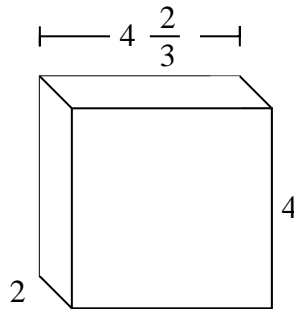
1)



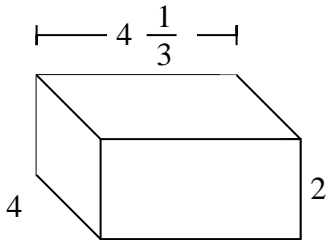
2)



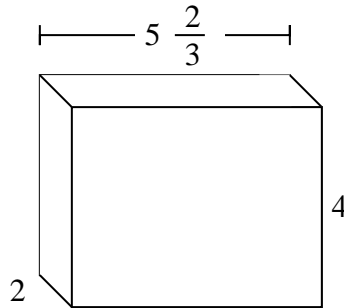
3)



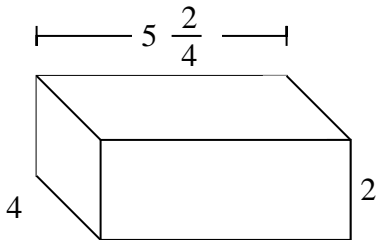
4)



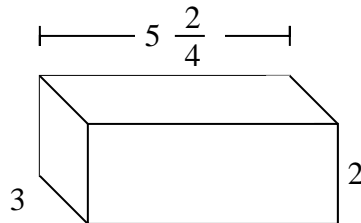
5)



6)



7)

AnswersEx. $36\frac{2}{3}$ cm

1. _____

2. _____

3. _____

4. _____

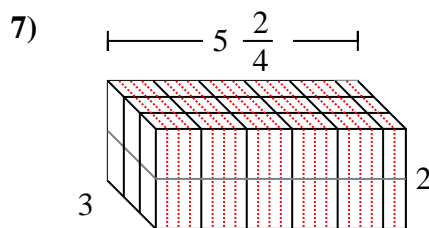
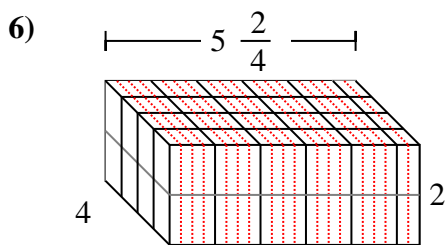
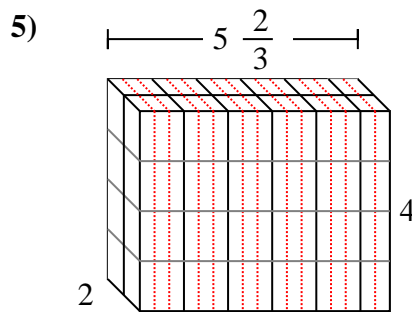
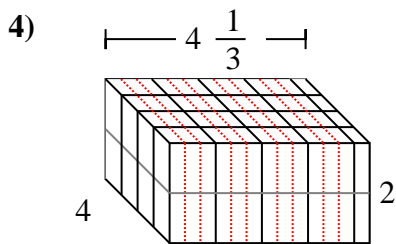
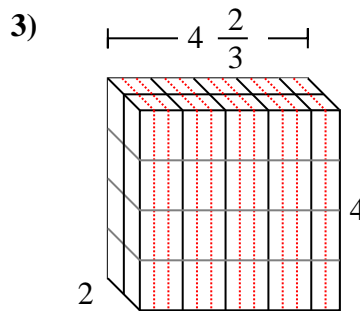
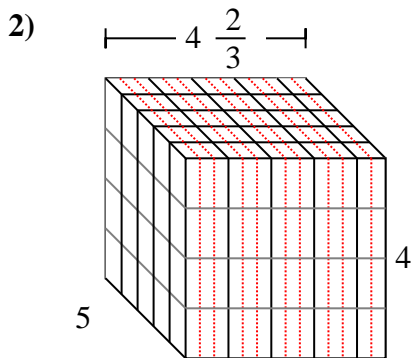
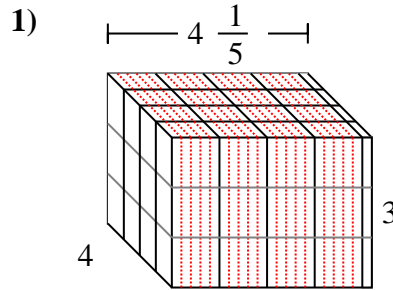
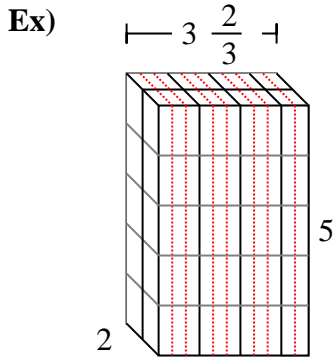
5. _____

6. _____

7. _____



Fill each rectangular prism with cubes to determine the volume. Each prism's unit is measured in cm (not to scale).

Answers

Ex. $36 \frac{2}{3} \text{ cm}$

1. $50 \frac{2}{5} \text{ cm}$

2. $93 \frac{1}{3} \text{ cm}$

3. $37 \frac{1}{3} \text{ cm}$

4. $34 \frac{2}{3} \text{ cm}$

5. $45 \frac{1}{3} \text{ cm}$

6. 44 cm

7. 33 cm