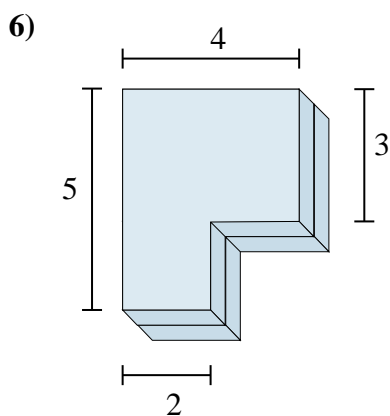
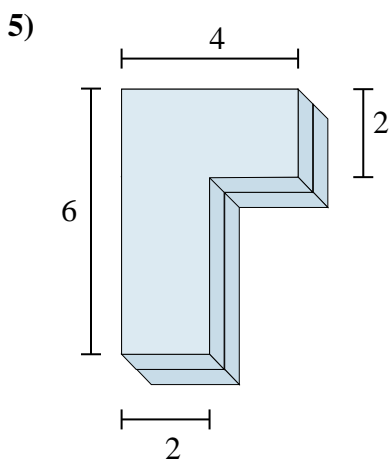
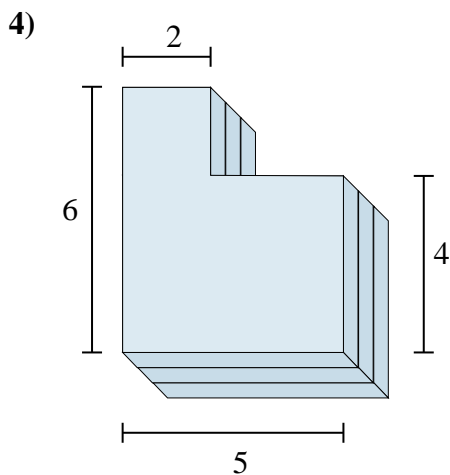
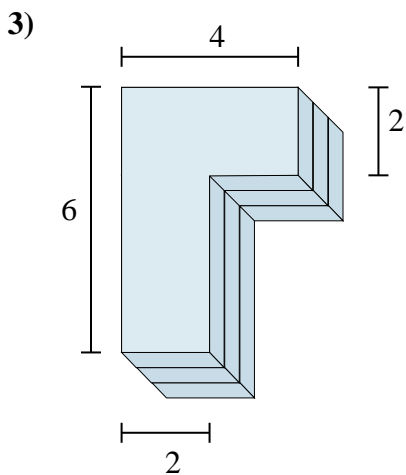
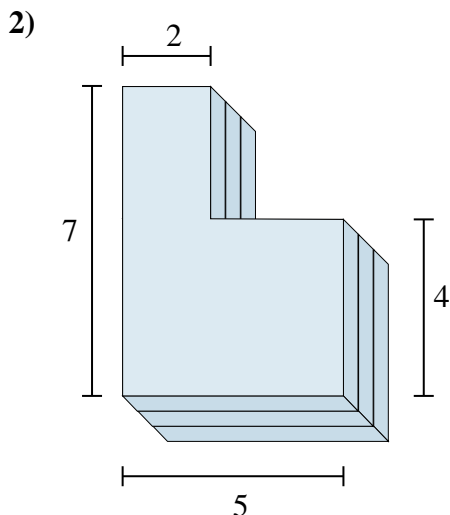
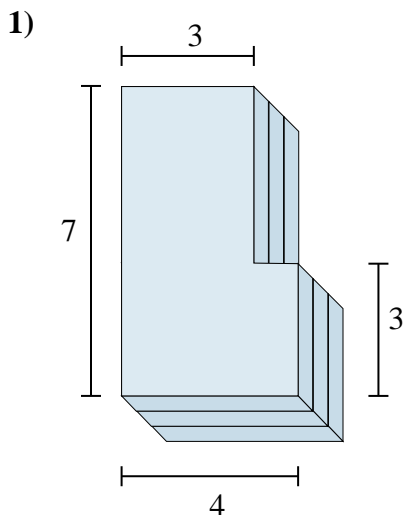




Find the total volume of each figure shown. Measured in cm (not to scale).

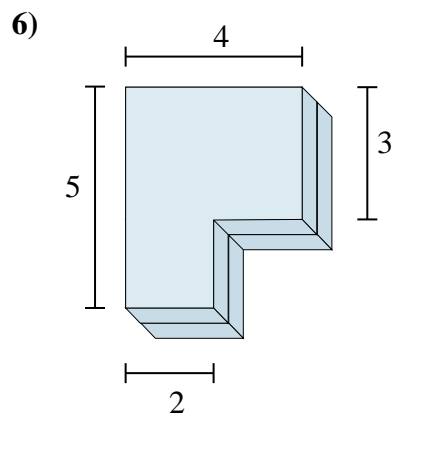
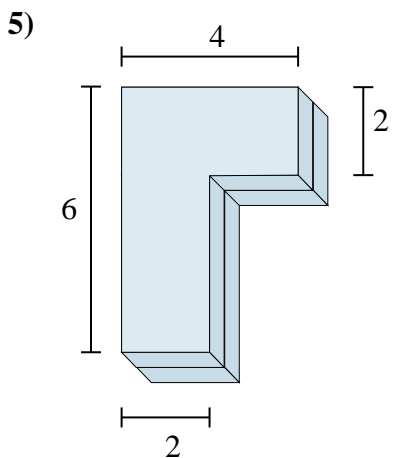
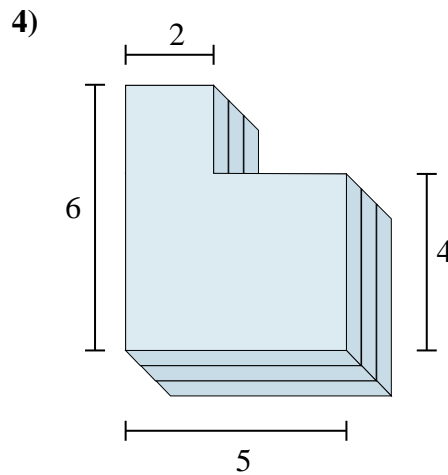
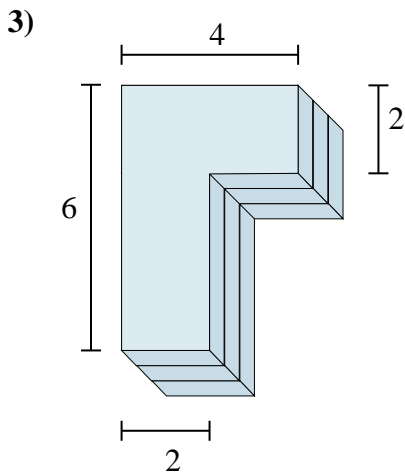
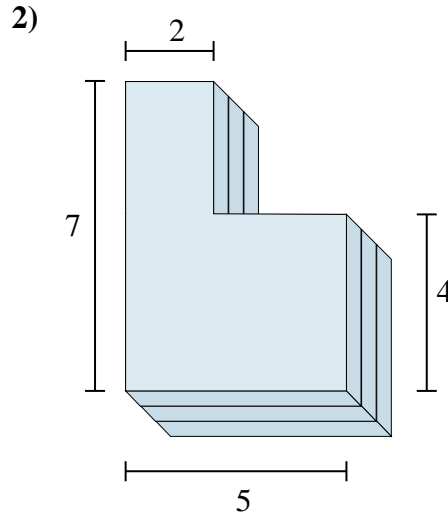
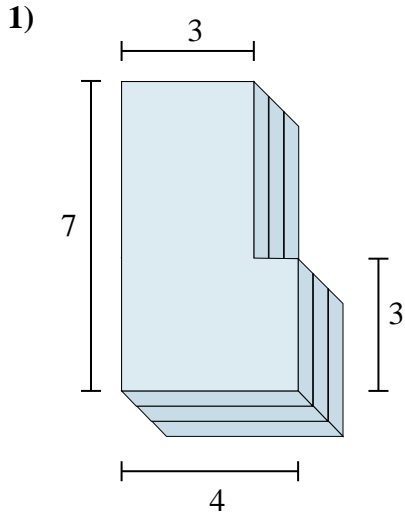
Answers



1. \_\_\_\_\_
2. \_\_\_\_\_
3. \_\_\_\_\_
4. \_\_\_\_\_
5. \_\_\_\_\_
6. \_\_\_\_\_



Find the total volume of each figure shown. Measured in cm (not to scale).



Answers

1. **72 cm<sup>3</sup>**

2. **78 cm<sup>3</sup>**

3. **48 cm<sup>3</sup>**

4. **72 cm<sup>3</sup>**

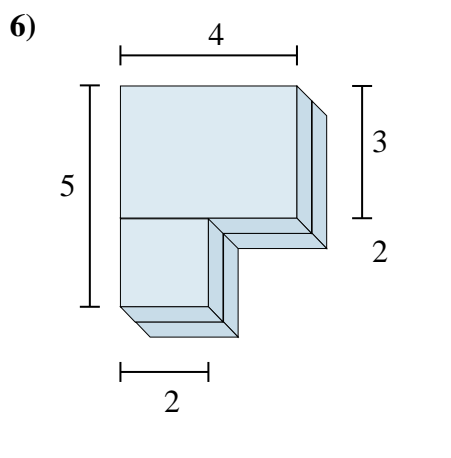
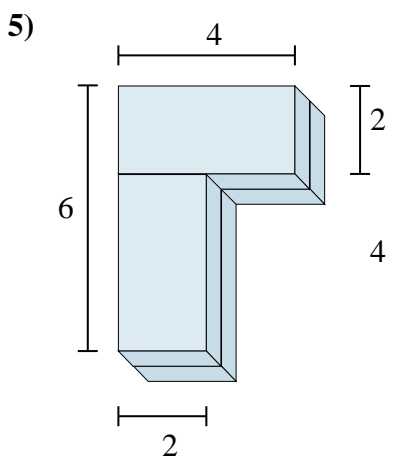
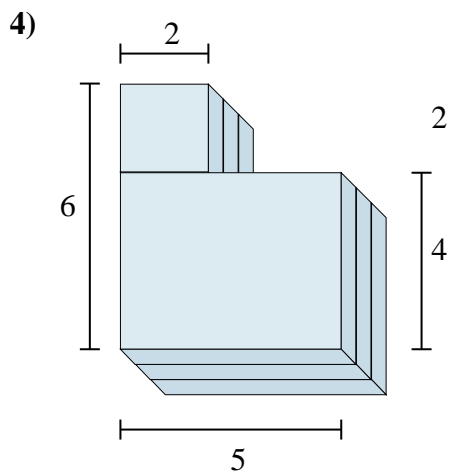
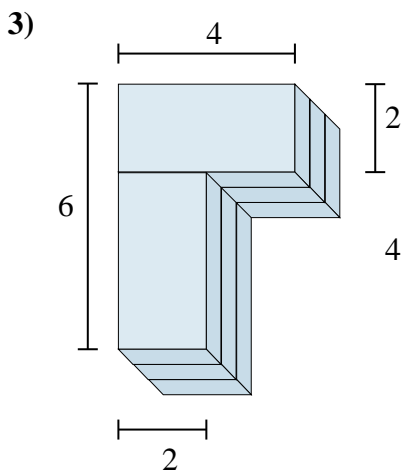
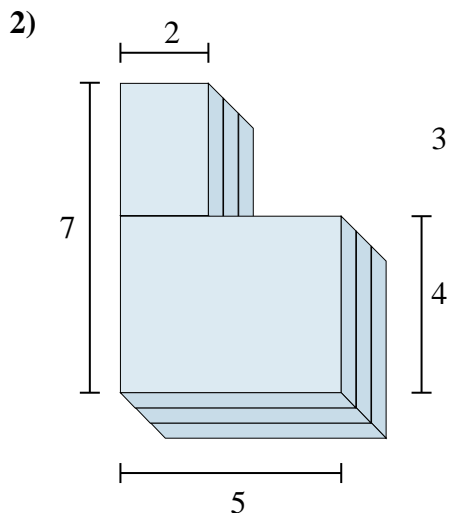
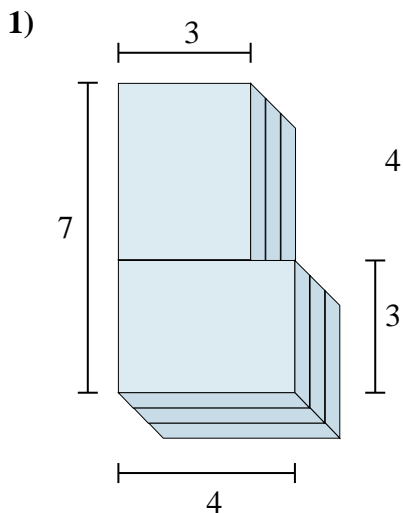
5. **32 cm<sup>3</sup>**

6. **32 cm<sup>3</sup>**



Find the total volume of each figure shown. Measured in cm (not to scale).

Answers



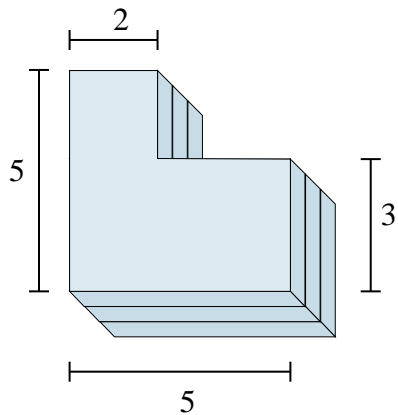
1. \_\_\_\_\_
2. \_\_\_\_\_
3. \_\_\_\_\_
4. \_\_\_\_\_
5. \_\_\_\_\_
6. \_\_\_\_\_



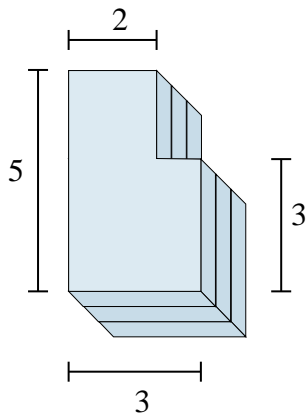
Find the total volume of each figure shown. Measured in cm (not to scale).

Answers

1)



2)



1. \_\_\_\_\_

2. \_\_\_\_\_

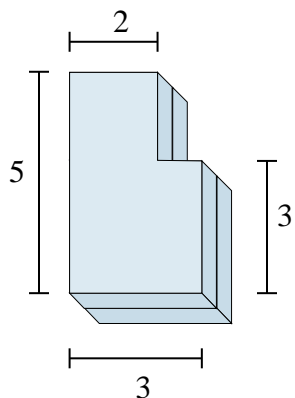
3. \_\_\_\_\_

4. \_\_\_\_\_

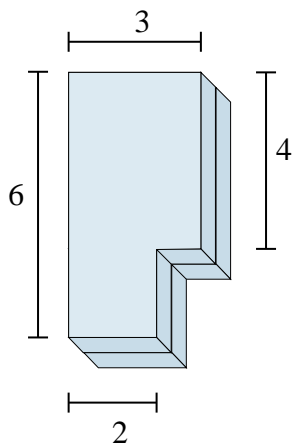
5. \_\_\_\_\_

6. \_\_\_\_\_

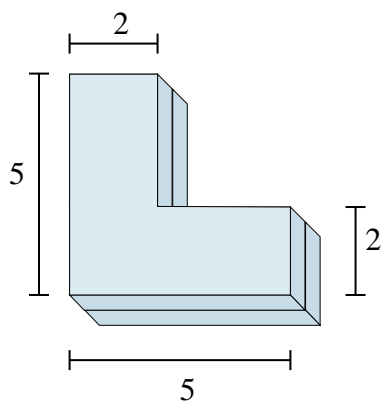
3)



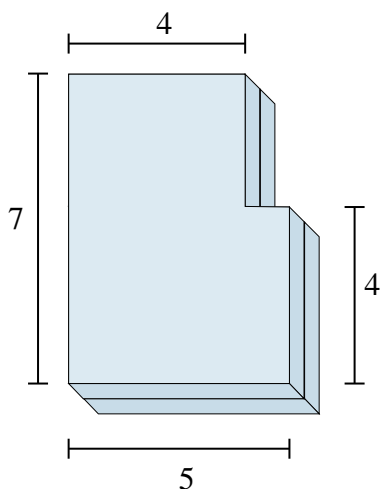
4)



5)

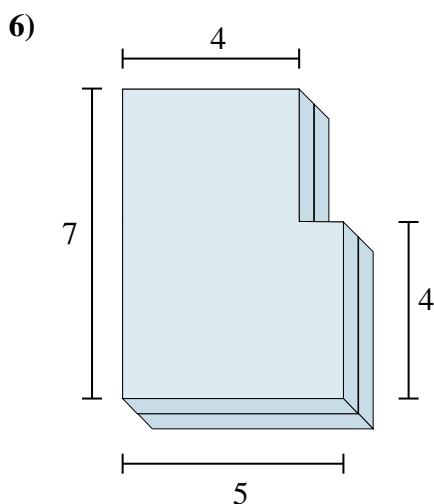
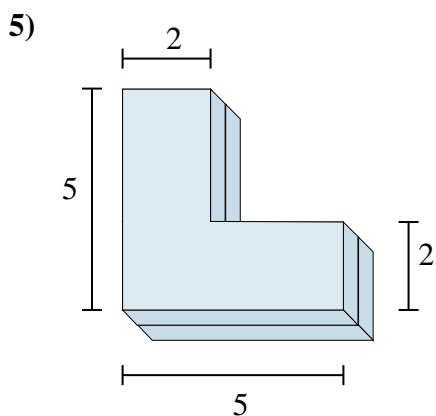
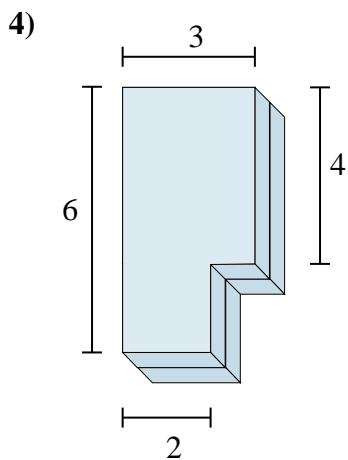
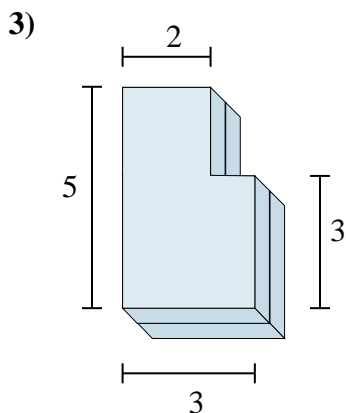
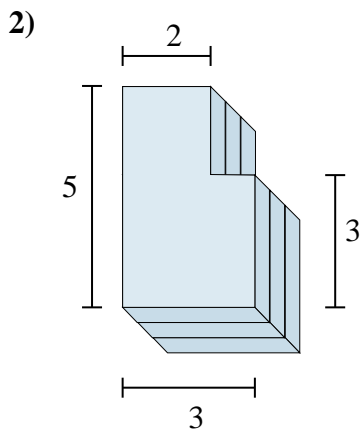
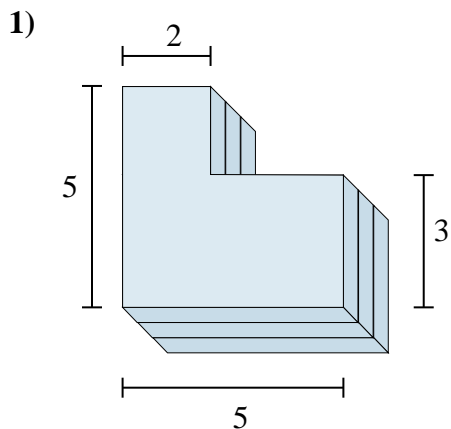


6)





Find the total volume of each figure shown. Measured in cm (not to scale).



Answers

1. **57 cm<sup>3</sup>**

2. **39 cm<sup>3</sup>**

3. **26 cm<sup>3</sup>**

4. **32 cm<sup>3</sup>**

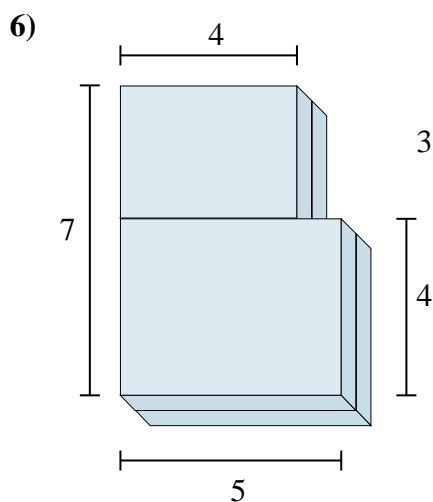
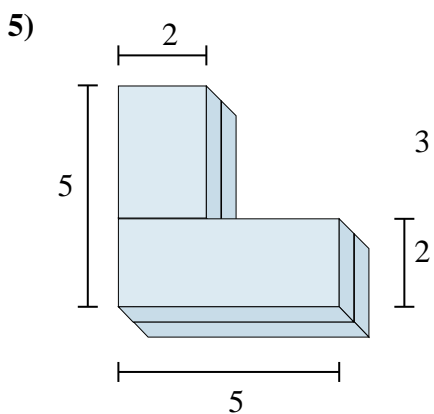
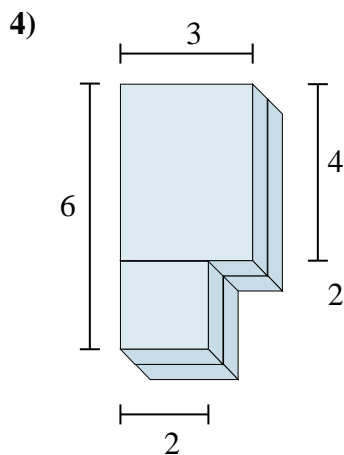
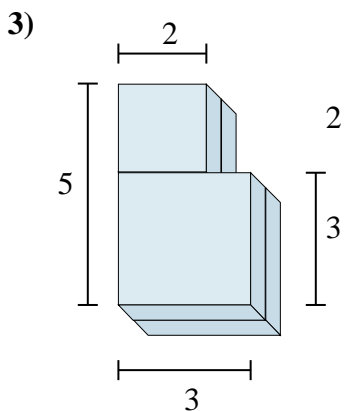
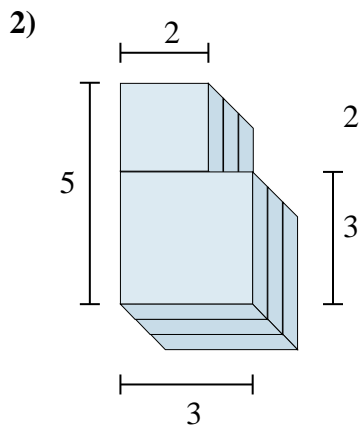
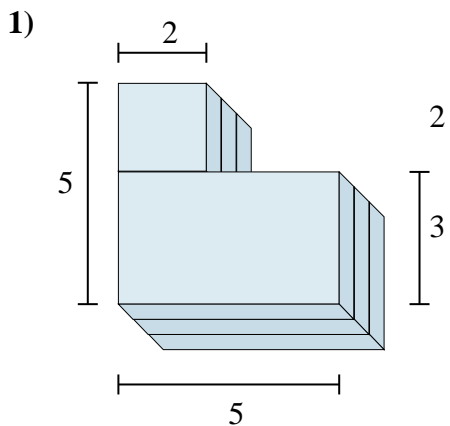
5. **32 cm<sup>3</sup>**

6. **64 cm<sup>3</sup>**



Find the total volume of each figure shown. Measured in cm (not to scale).

Answers

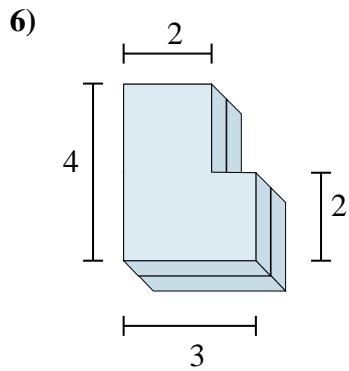
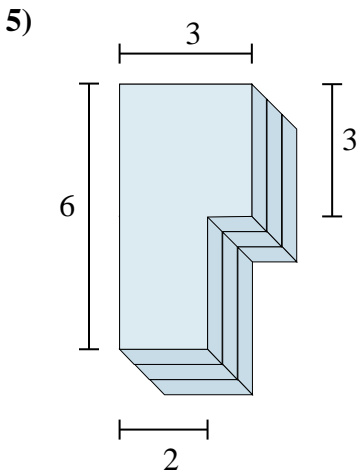
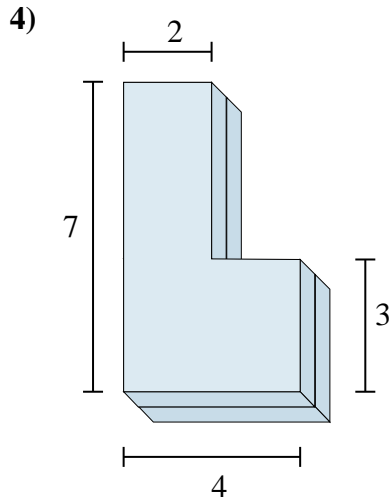
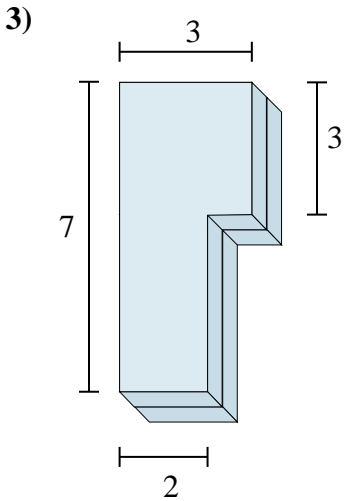
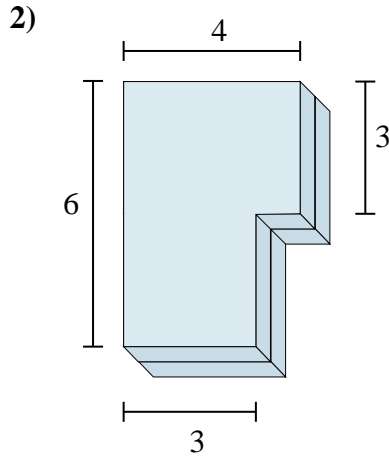
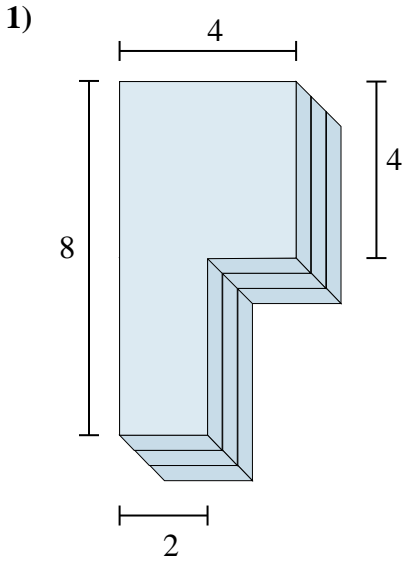


1. \_\_\_\_\_
2. \_\_\_\_\_
3. \_\_\_\_\_
4. \_\_\_\_\_
5. \_\_\_\_\_
6. \_\_\_\_\_



Find the total volume of each figure shown. Measured in cm (not to scale).

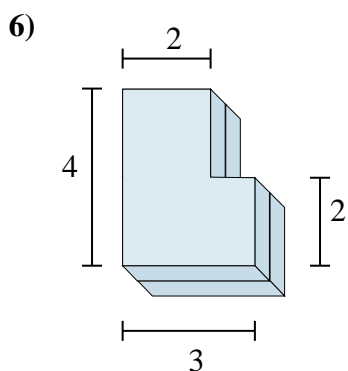
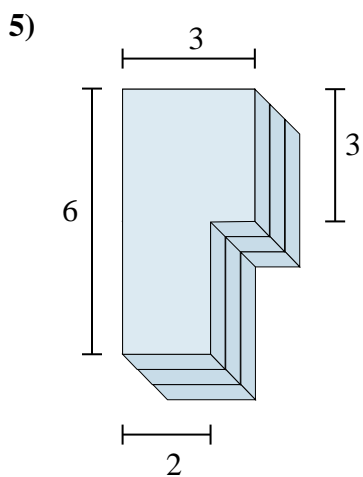
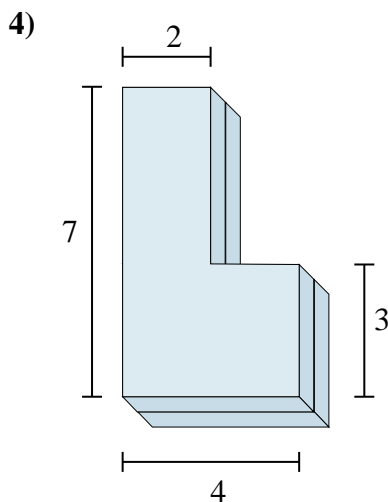
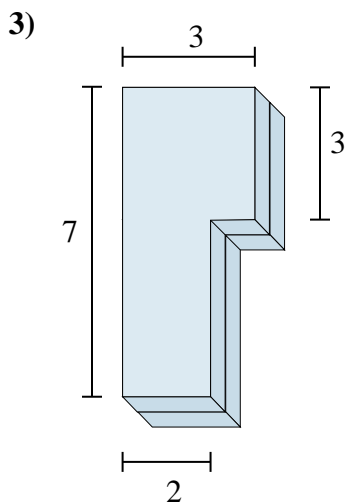
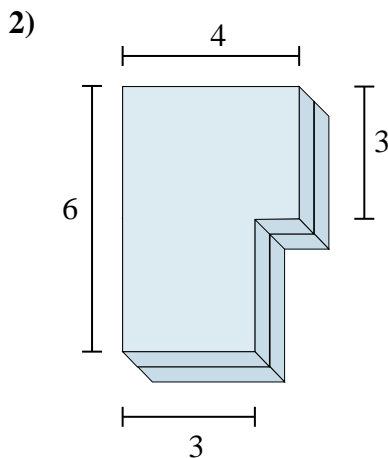
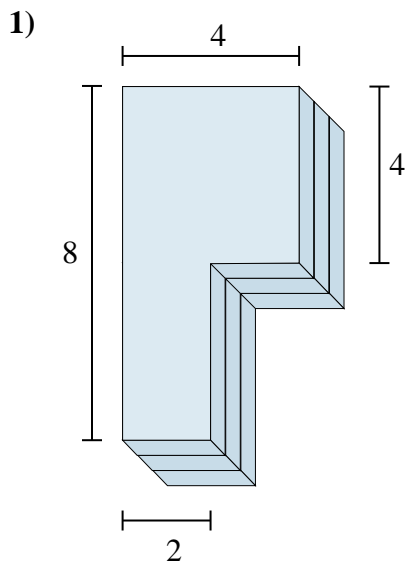
Answers



- 1. \_\_\_\_\_
- 2. \_\_\_\_\_
- 3. \_\_\_\_\_
- 4. \_\_\_\_\_
- 5. \_\_\_\_\_
- 6. \_\_\_\_\_



Find the total volume of each figure shown. Measured in cm (not to scale).



Answers

1. **72 cm<sup>3</sup>**

2. **42 cm<sup>3</sup>**

3. **34 cm<sup>3</sup>**

4. **40 cm<sup>3</sup>**

5. **45 cm<sup>3</sup>**

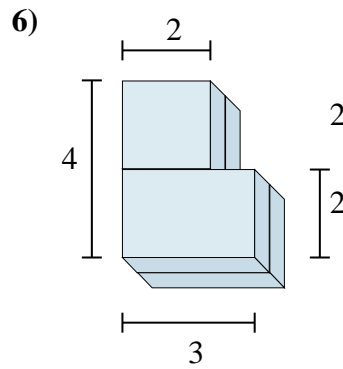
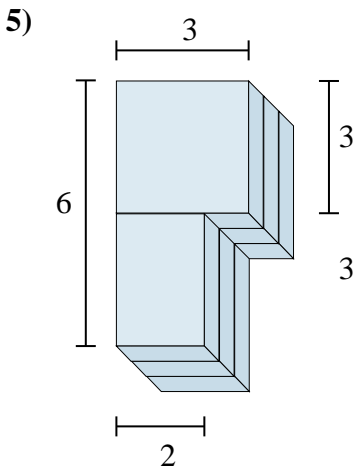
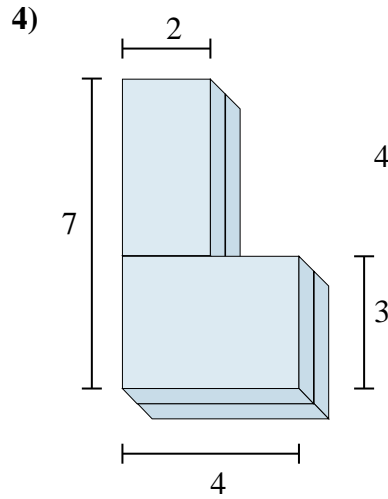
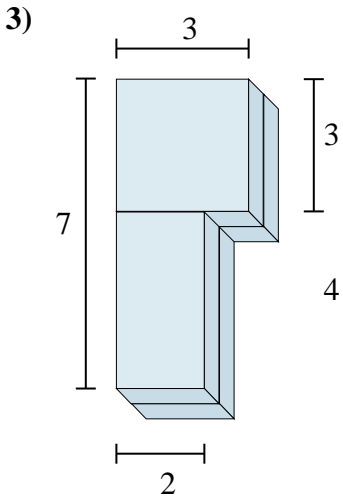
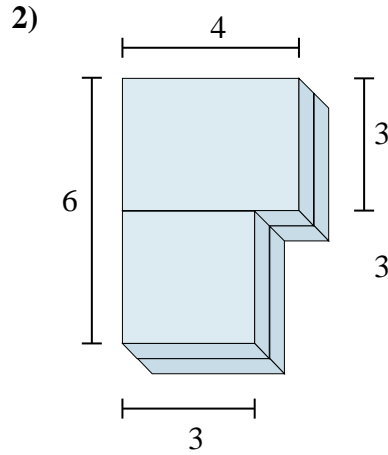
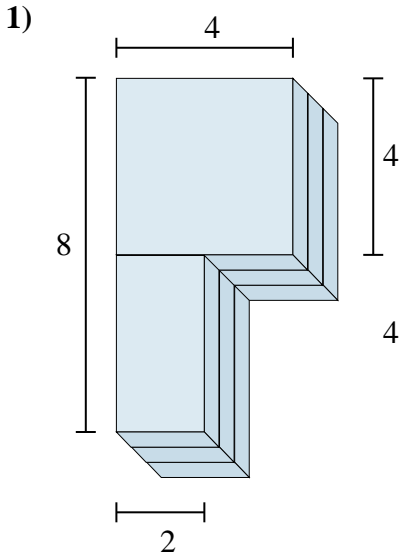
6. **20 cm<sup>3</sup>**





Find the total volume of each figure shown. Measured in cm (not to scale).

Answers

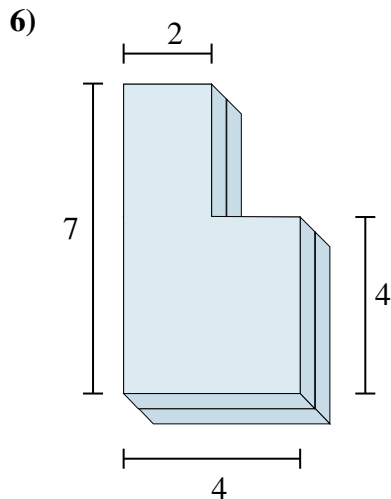
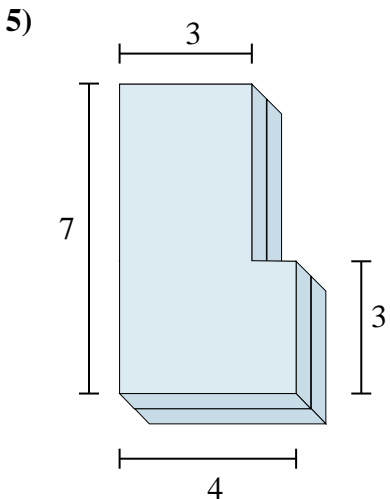
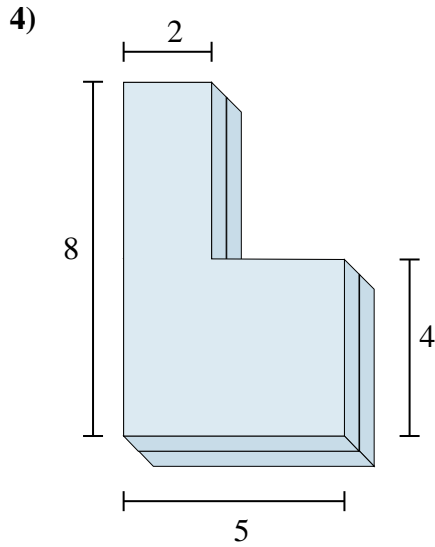
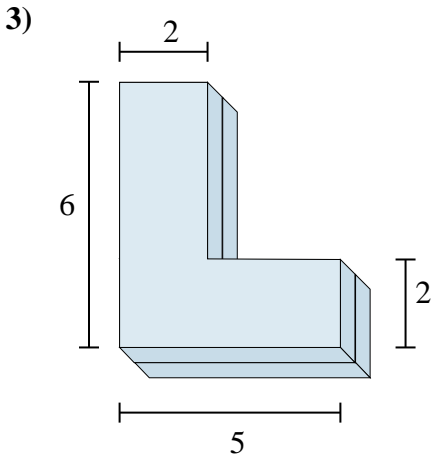
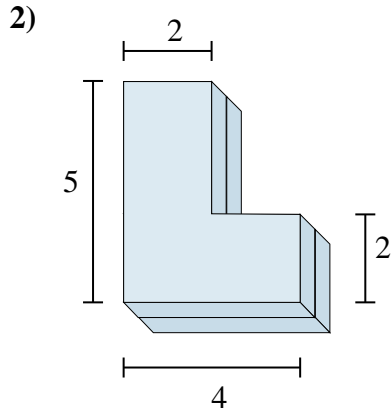
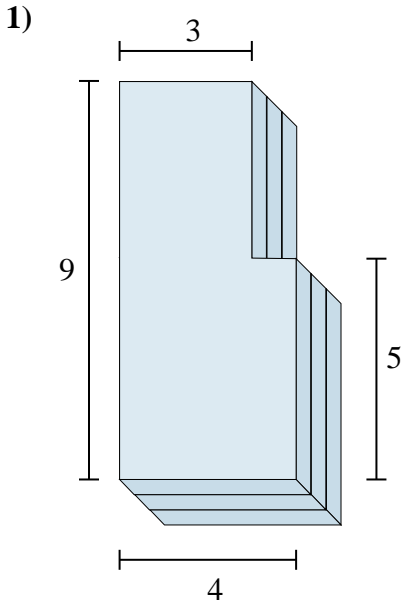


1. \_\_\_\_\_
2. \_\_\_\_\_
3. \_\_\_\_\_
4. \_\_\_\_\_
5. \_\_\_\_\_
6. \_\_\_\_\_



Find the total volume of each figure shown. Measured in cm (not to scale).

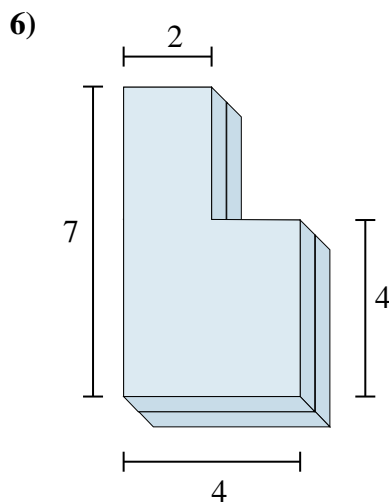
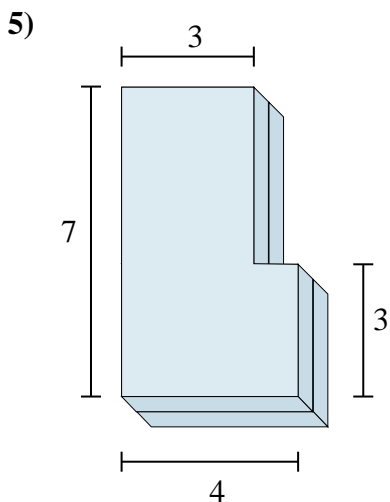
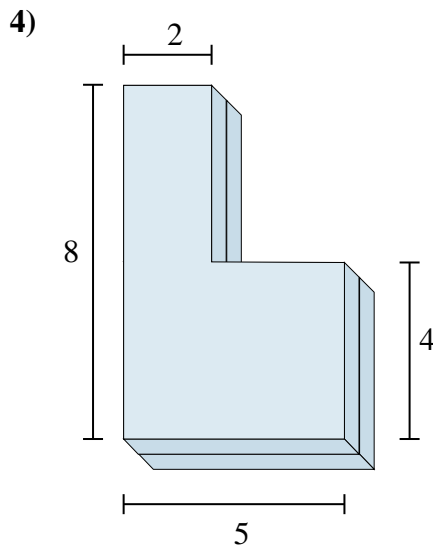
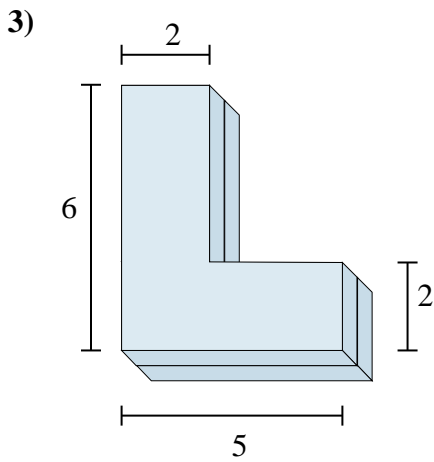
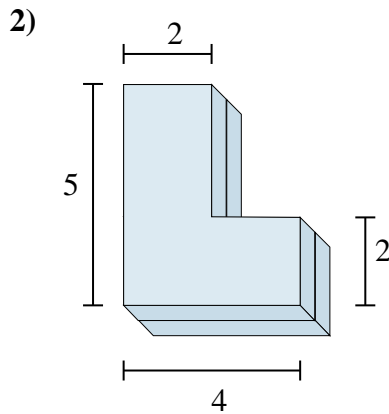
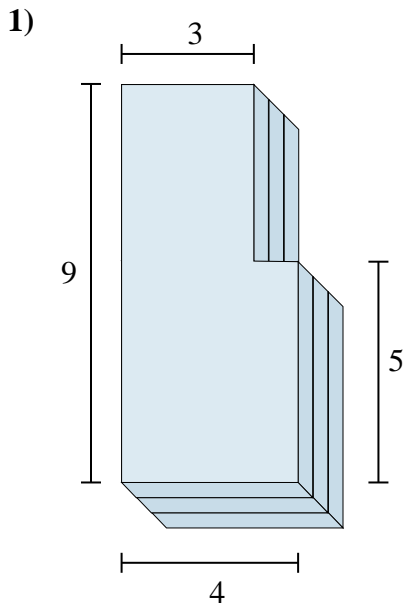
Answers



- 1. \_\_\_\_\_
- 2. \_\_\_\_\_
- 3. \_\_\_\_\_
- 4. \_\_\_\_\_
- 5. \_\_\_\_\_
- 6. \_\_\_\_\_



Find the total volume of each figure shown. Measured in cm (not to scale).



Answers

1. **96 cm<sup>3</sup>**

2. **28 cm<sup>3</sup>**

3. **36 cm<sup>3</sup>**

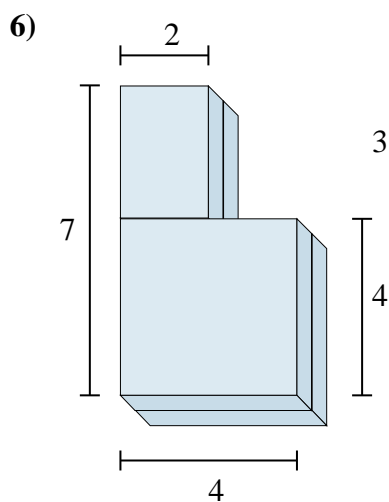
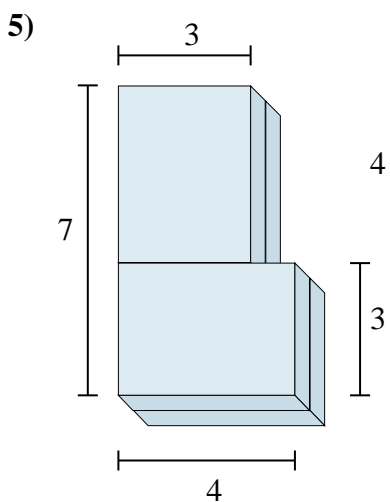
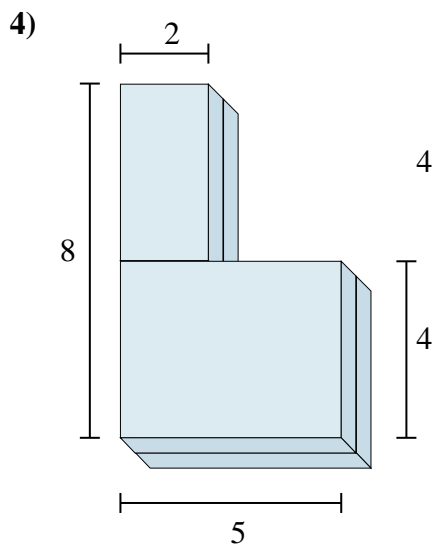
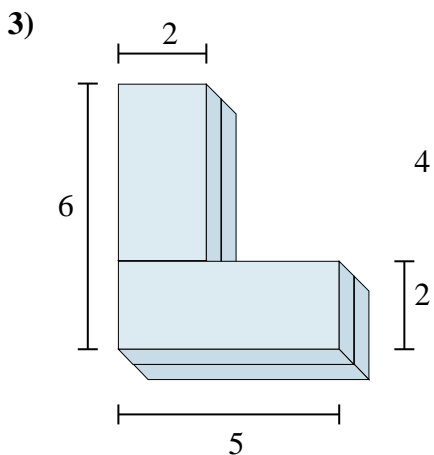
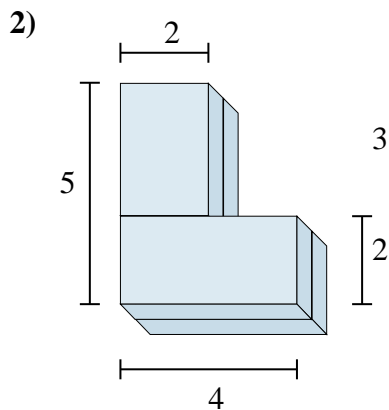
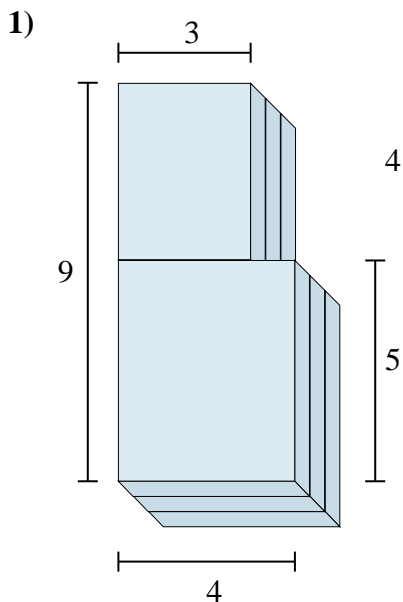
4. **56 cm<sup>3</sup>**

5. **48 cm<sup>3</sup>**

6. **44 cm<sup>3</sup>**



Find the total volume of each figure shown. Measured in cm (not to scale).



Answers

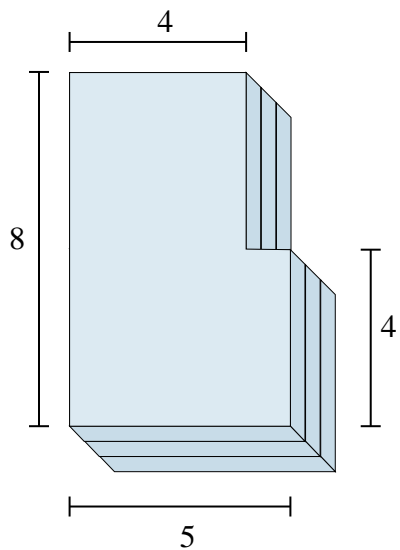
1. \_\_\_\_\_
2. \_\_\_\_\_
3. \_\_\_\_\_
4. \_\_\_\_\_
5. \_\_\_\_\_
6. \_\_\_\_\_



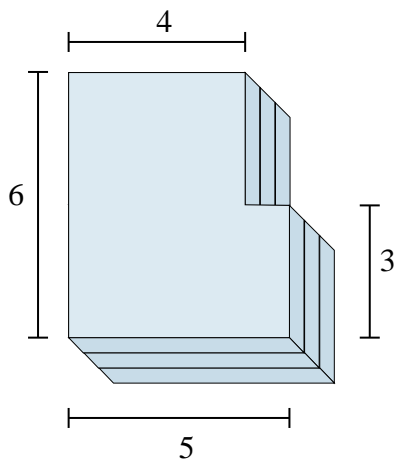
Find the total volume of each figure shown. Measured in cm (not to scale).

Answers

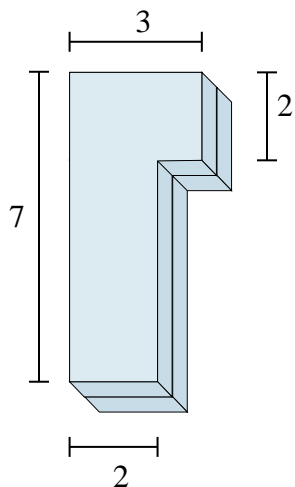
1)



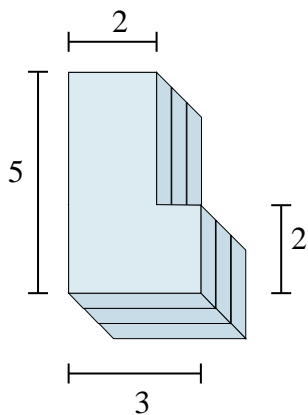
2)



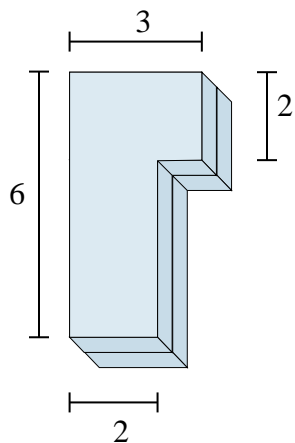
3)



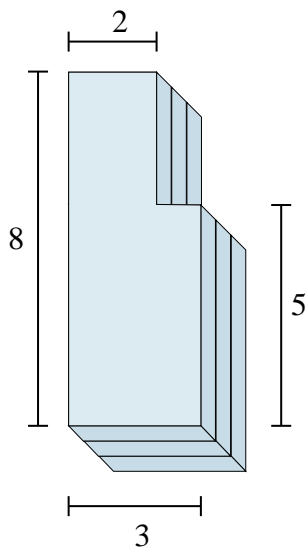
4)



5)



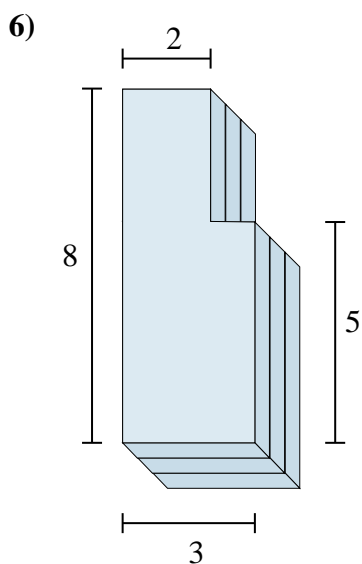
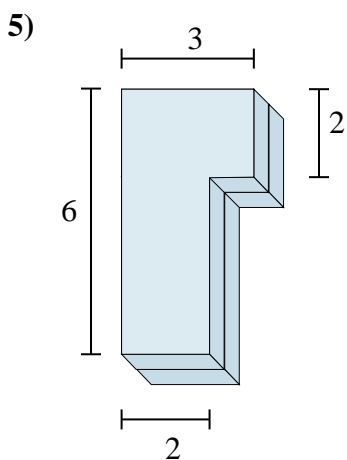
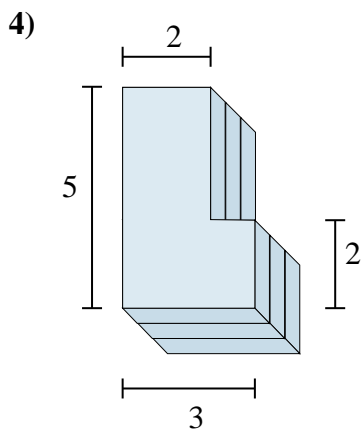
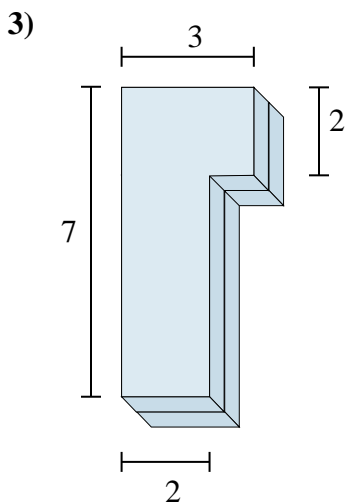
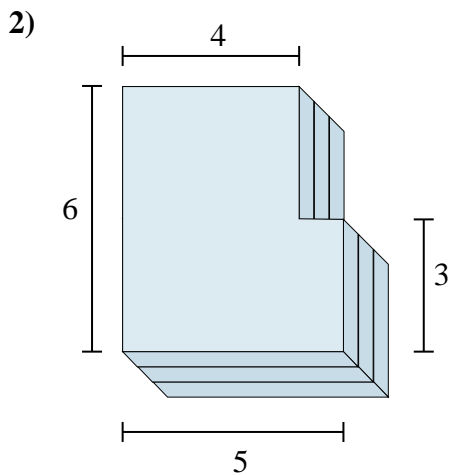
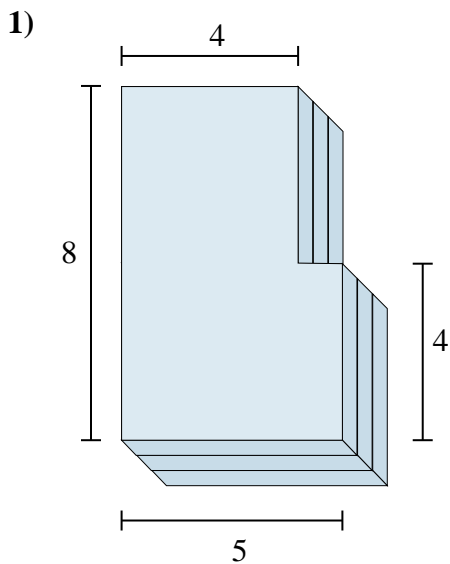
6)



1. \_\_\_\_\_
2. \_\_\_\_\_
3. \_\_\_\_\_
4. \_\_\_\_\_
5. \_\_\_\_\_
6. \_\_\_\_\_



Find the total volume of each figure shown. Measured in cm (not to scale).



Answers

1. **108 cm<sup>3</sup>**

2. **81 cm<sup>3</sup>**

3. **32 cm<sup>3</sup>**

4. **36 cm<sup>3</sup>**

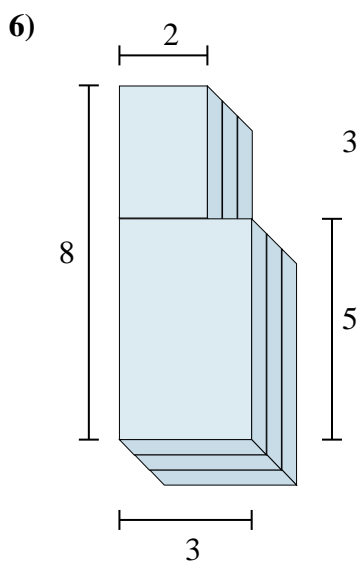
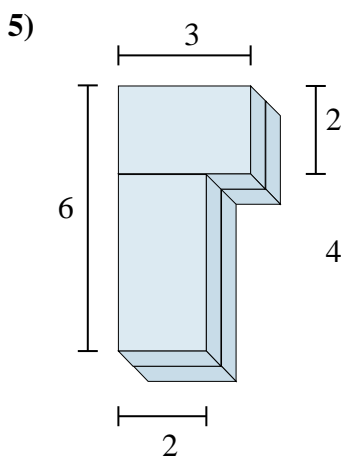
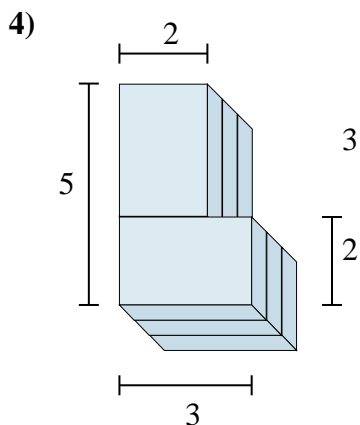
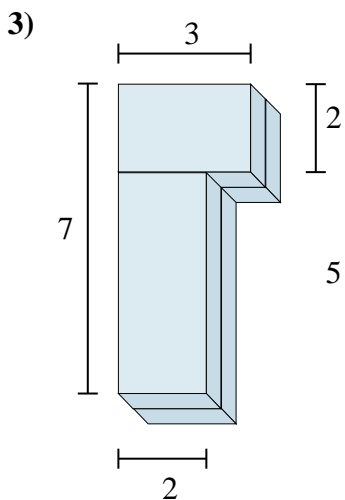
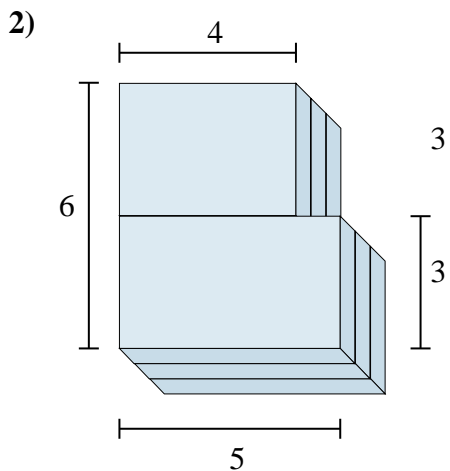
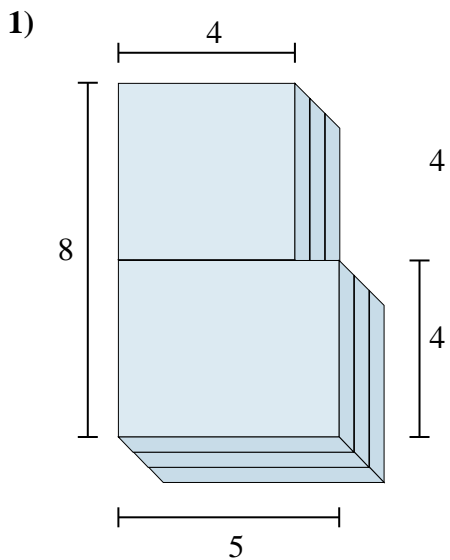
5. **28 cm<sup>3</sup>**

6. **63 cm<sup>3</sup>**



Find the total volume of each figure shown. Measured in cm (not to scale).

Answers

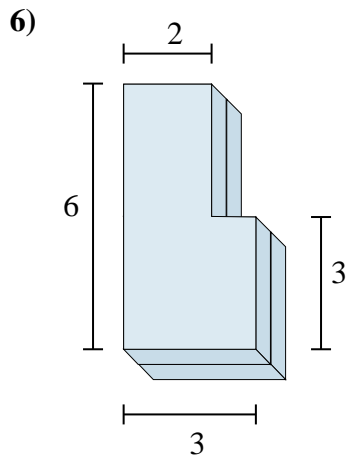
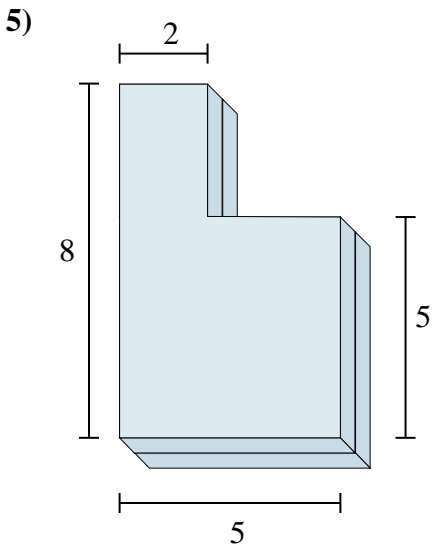
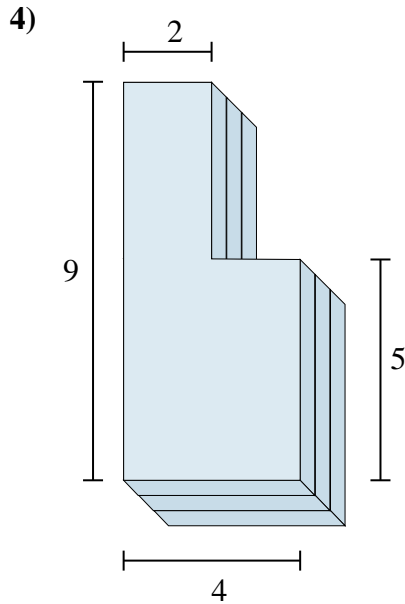
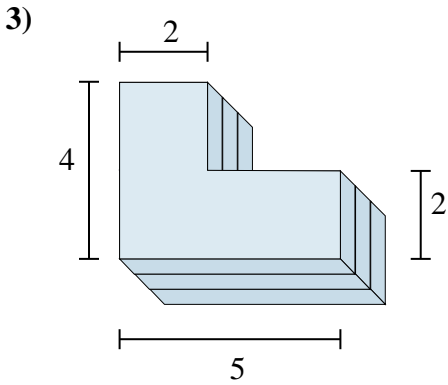
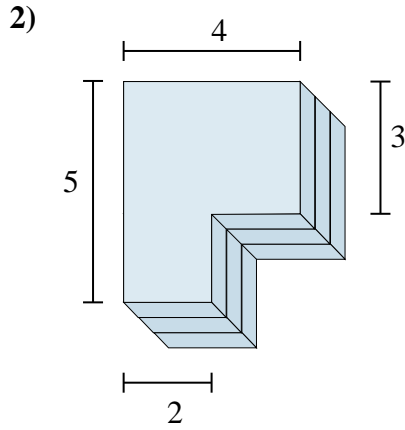
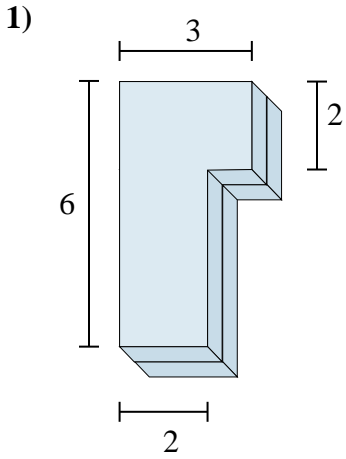


1. \_\_\_\_\_
2. \_\_\_\_\_
3. \_\_\_\_\_
4. \_\_\_\_\_
5. \_\_\_\_\_
6. \_\_\_\_\_



Find the total volume of each figure shown. Measured in cm (not to scale).

Answers

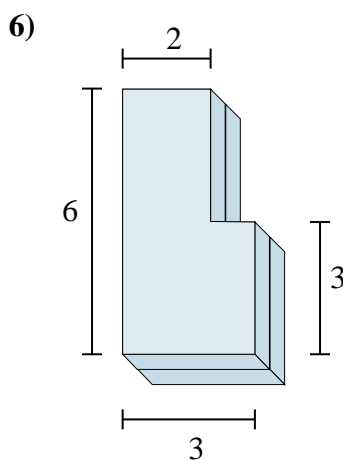
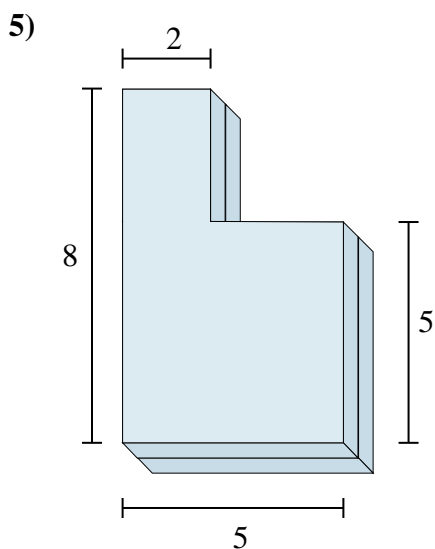
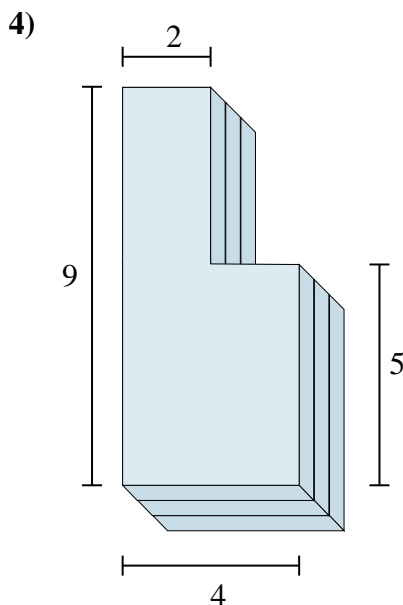
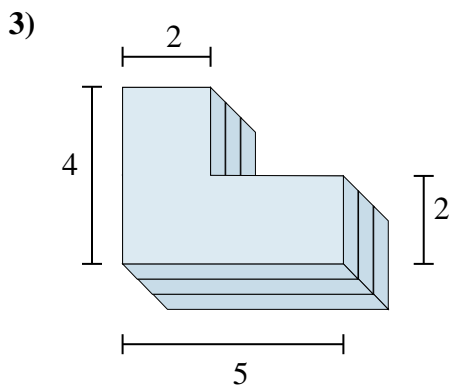
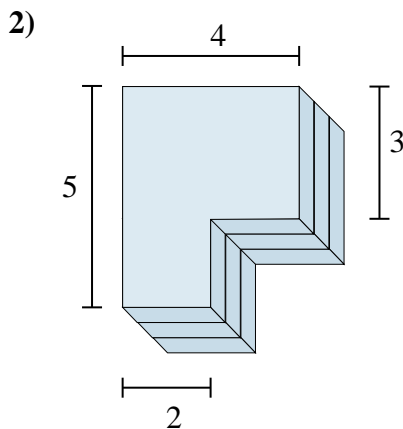
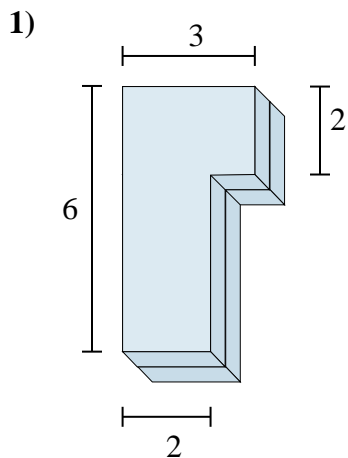


- 1. \_\_\_\_\_
- 2. \_\_\_\_\_
- 3. \_\_\_\_\_
- 4. \_\_\_\_\_
- 5. \_\_\_\_\_
- 6. \_\_\_\_\_





Find the total volume of each figure shown. Measured in cm (not to scale).



Answers

1. **28 cm<sup>3</sup>**

2. **48 cm<sup>3</sup>**

3. **42 cm<sup>3</sup>**

4. **84 cm<sup>3</sup>**

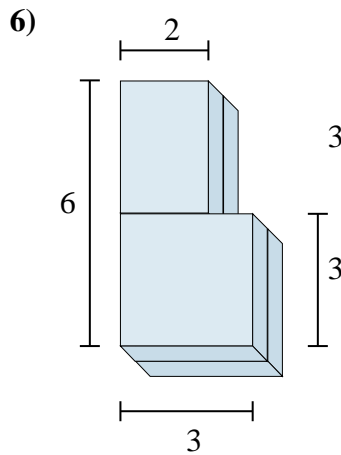
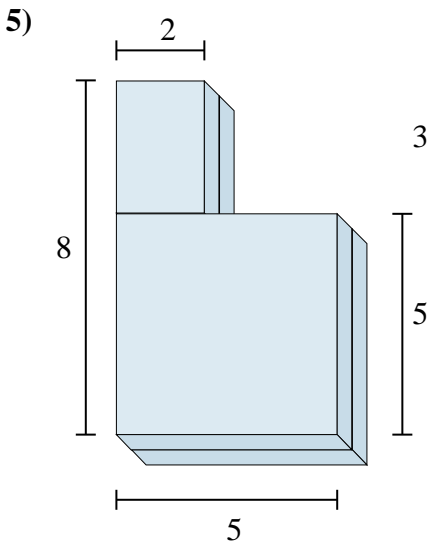
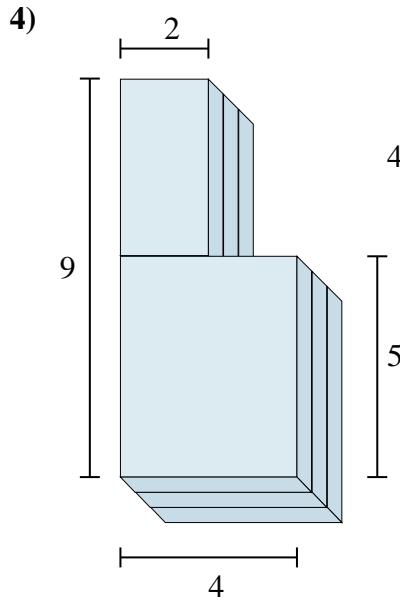
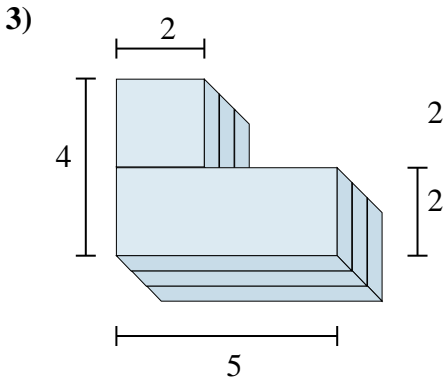
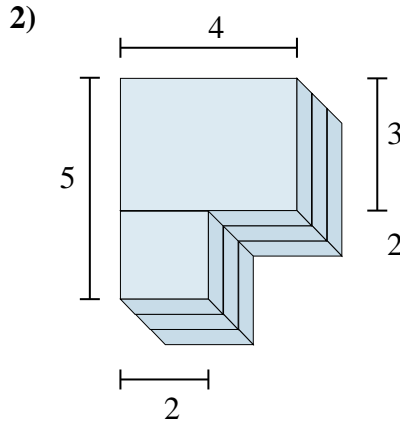
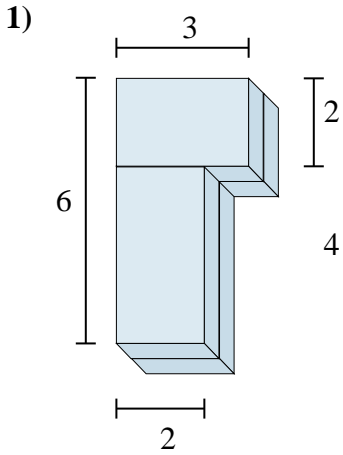
5. **62 cm<sup>3</sup>**

6. **30 cm<sup>3</sup>**



Find the total volume of each figure shown. Measured in cm (not to scale).

Answers



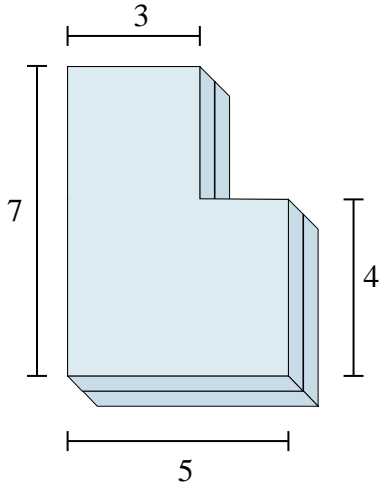
1. \_\_\_\_\_
2. \_\_\_\_\_
3. \_\_\_\_\_
4. \_\_\_\_\_
5. \_\_\_\_\_
6. \_\_\_\_\_



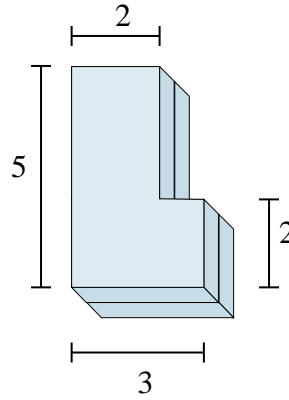
Find the total volume of each figure shown. Measured in cm (not to scale).

Answers

1)



2)



1. \_\_\_\_\_

2. \_\_\_\_\_

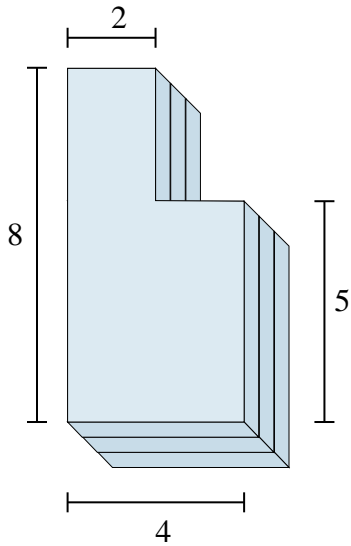
3. \_\_\_\_\_

4. \_\_\_\_\_

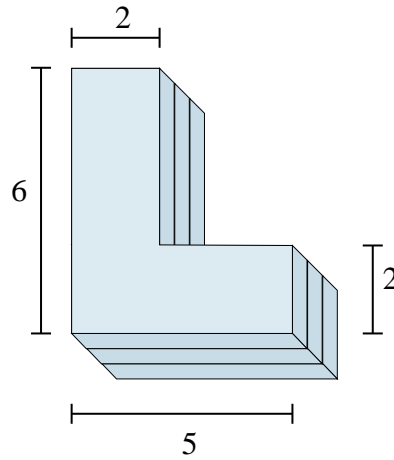
5. \_\_\_\_\_

6. \_\_\_\_\_

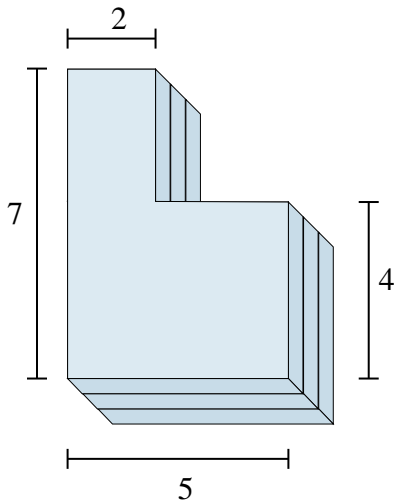
3)



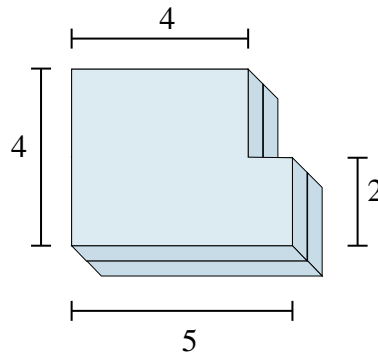
4)



5)

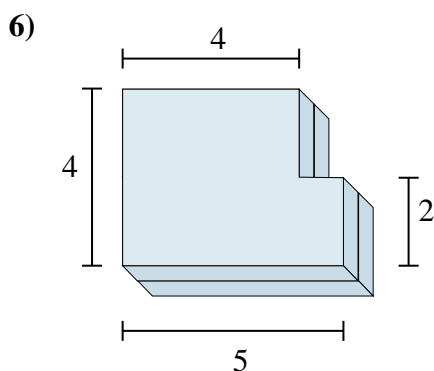
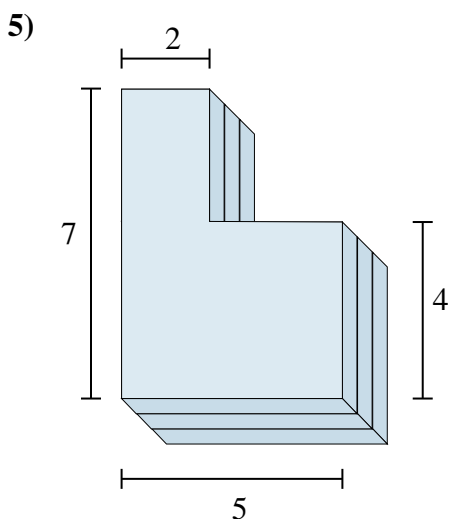
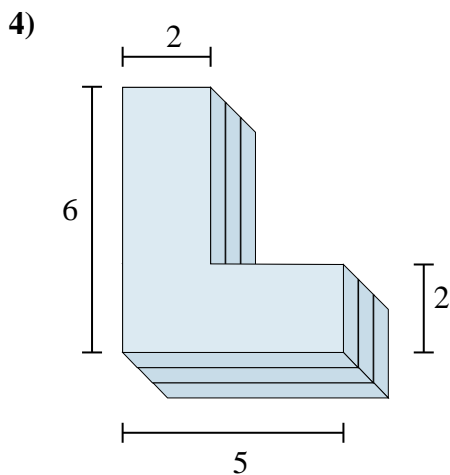
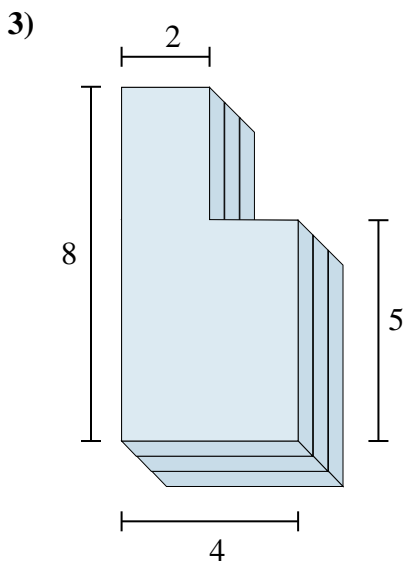
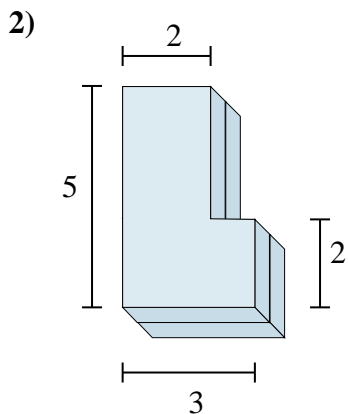
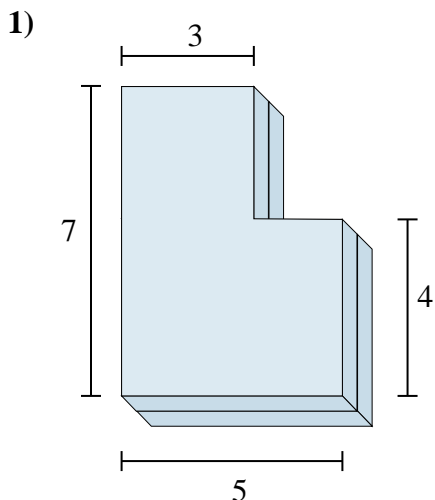


6)





Find the total volume of each figure shown. Measured in cm (not to scale).



Answers

1. **58 cm<sup>3</sup>**

2. **24 cm<sup>3</sup>**

3. **78 cm<sup>3</sup>**

4. **54 cm<sup>3</sup>**

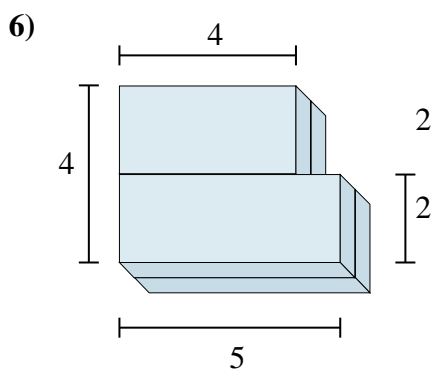
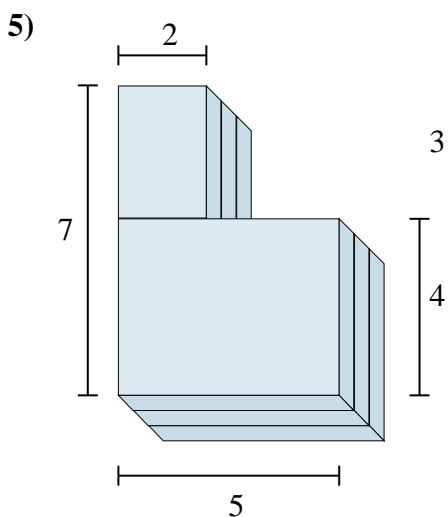
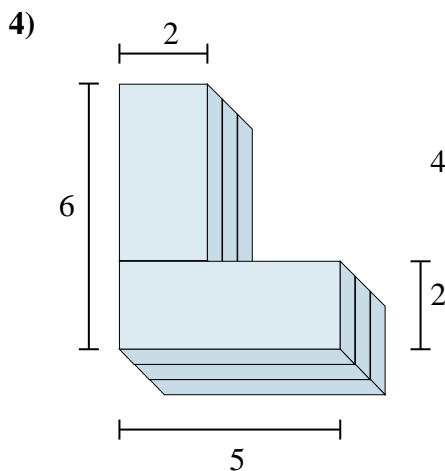
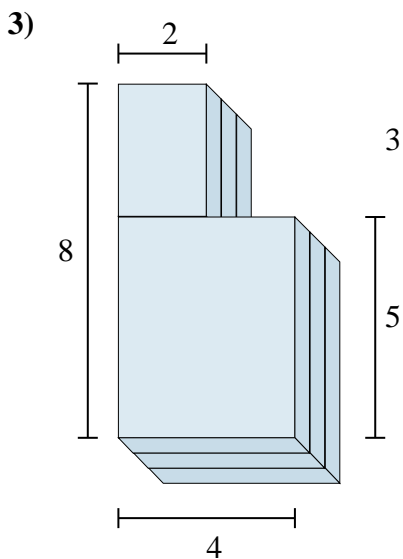
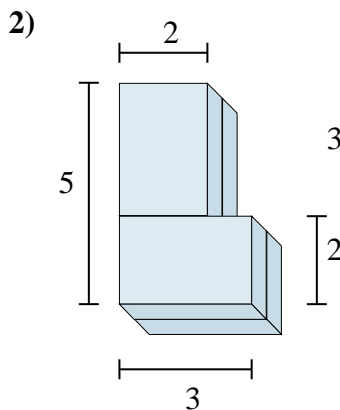
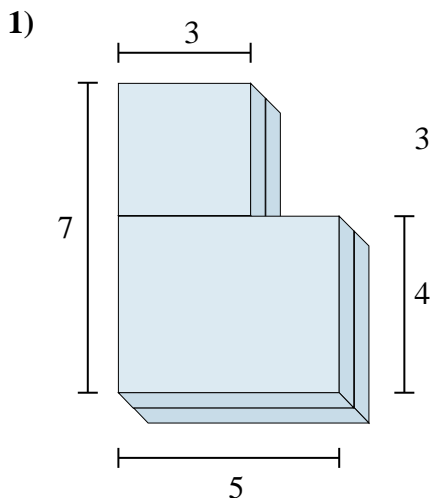
5. **78 cm<sup>3</sup>**

6. **36 cm<sup>3</sup>**



Find the total volume of each figure shown. Measured in cm (not to scale).

Answers

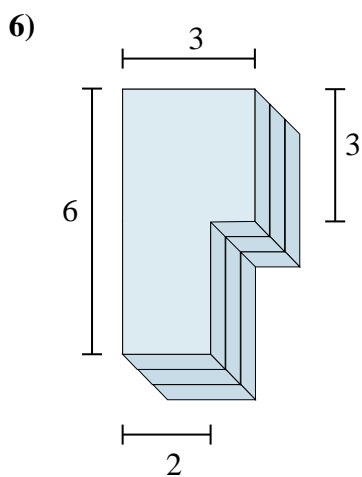
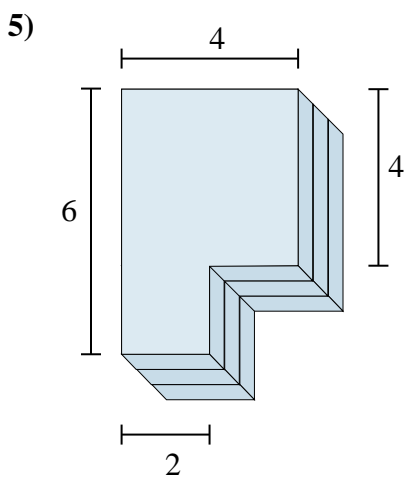
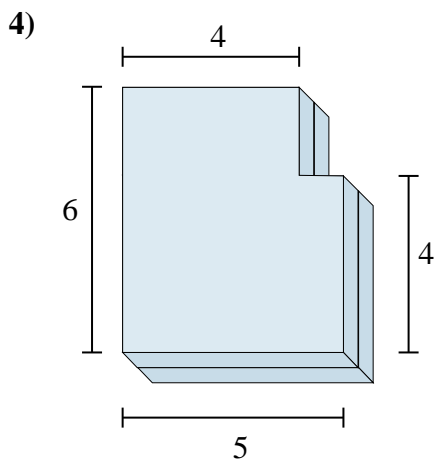
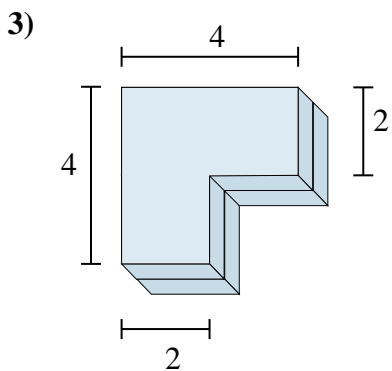
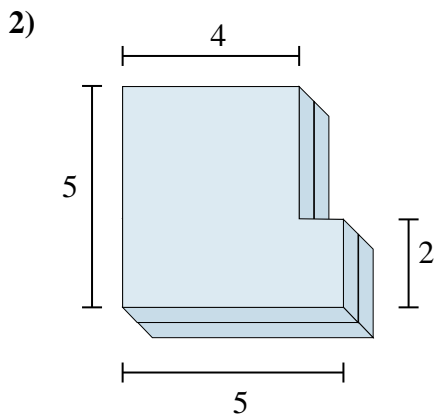
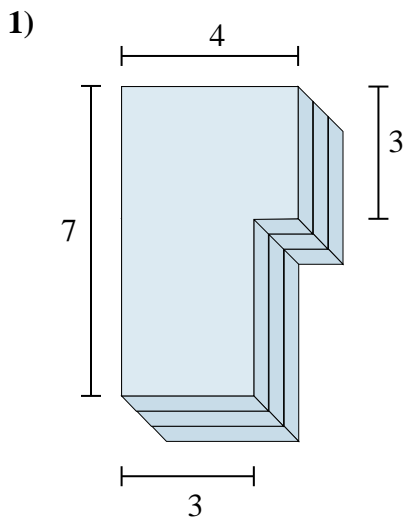


- 1. \_\_\_\_\_
- 2. \_\_\_\_\_
- 3. \_\_\_\_\_
- 4. \_\_\_\_\_
- 5. \_\_\_\_\_
- 6. \_\_\_\_\_



Find the total volume of each figure shown. Measured in cm (not to scale).

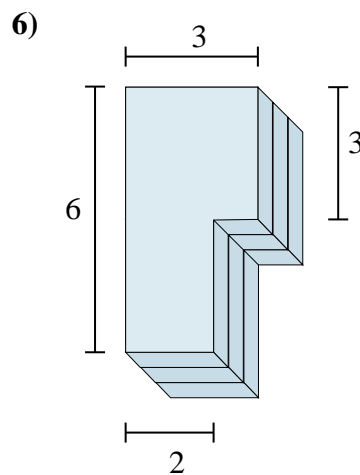
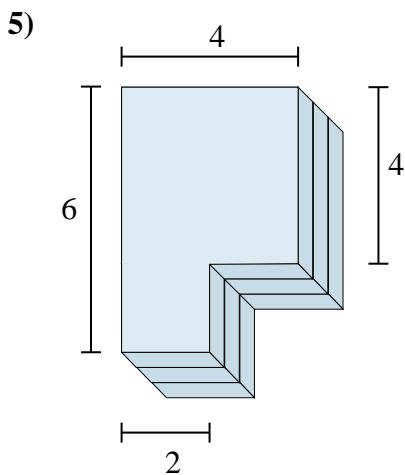
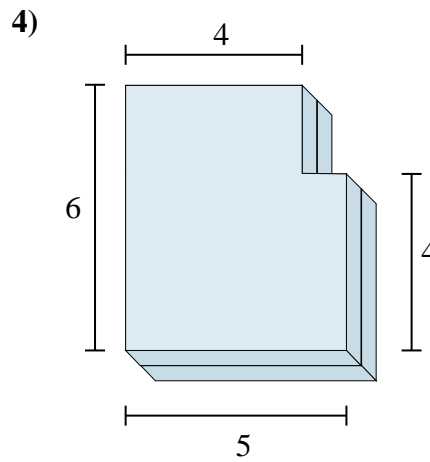
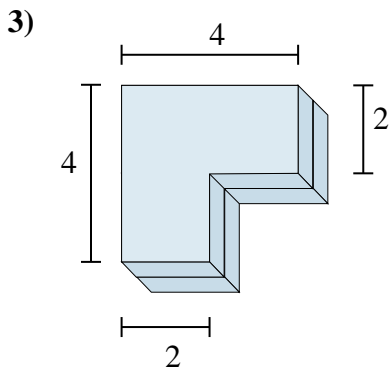
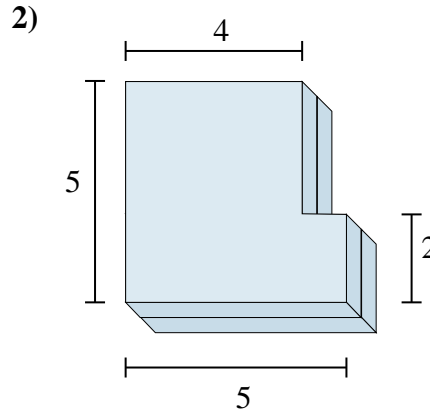
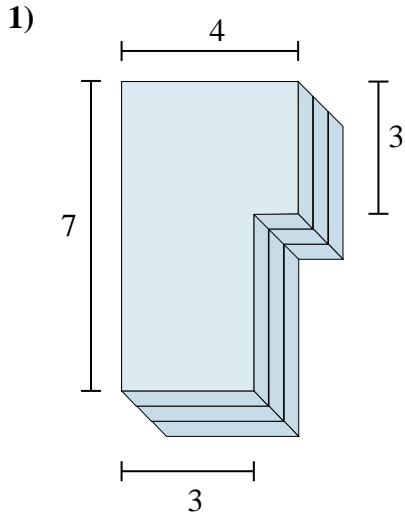
Answers



- 1. \_\_\_\_\_
- 2. \_\_\_\_\_
- 3. \_\_\_\_\_
- 4. \_\_\_\_\_
- 5. \_\_\_\_\_
- 6. \_\_\_\_\_



Find the total volume of each figure shown. Measured in cm (not to scale).



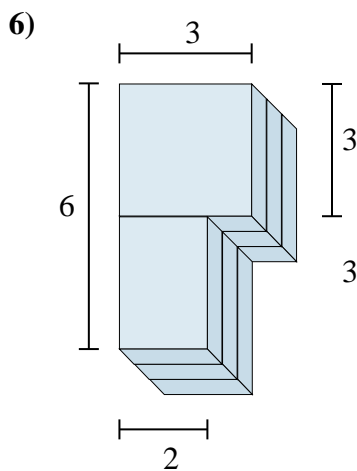
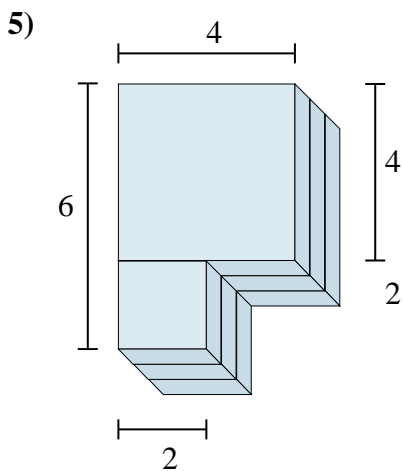
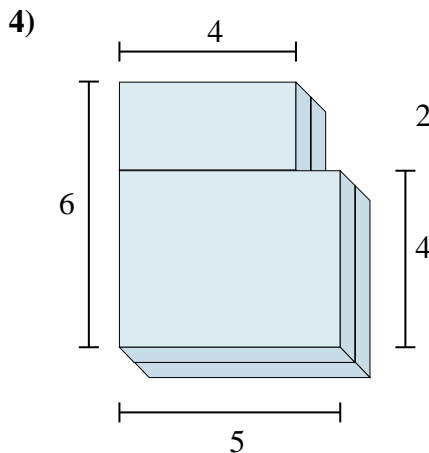
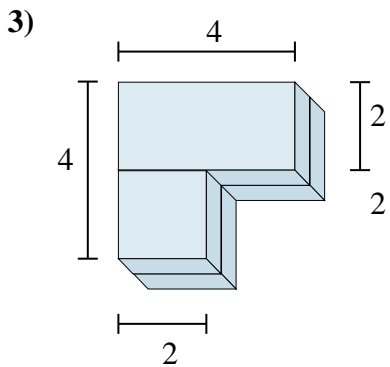
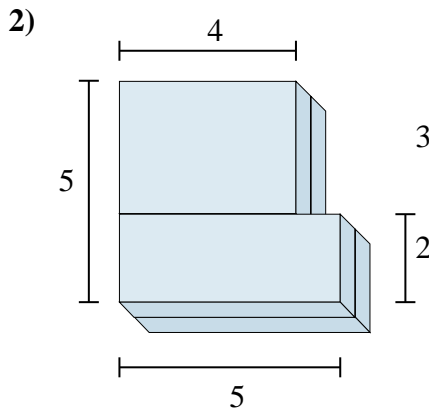
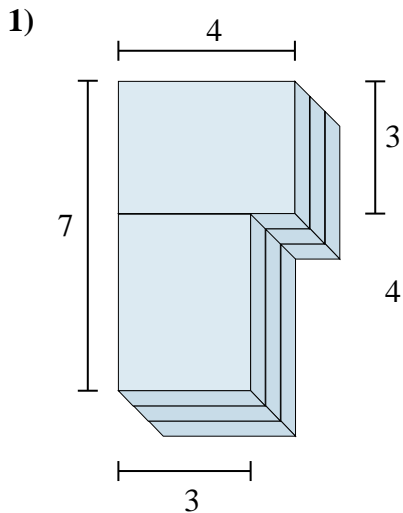
Answers

1. 72 cm<sup>3</sup>
2. 44 cm<sup>3</sup>
3. 24 cm<sup>3</sup>
4. 56 cm<sup>3</sup>
5. 60 cm<sup>3</sup>
6. 45 cm<sup>3</sup>



Find the total volume of each figure shown. Measured in cm (not to scale).

Answers



1. \_\_\_\_\_
2. \_\_\_\_\_
3. \_\_\_\_\_
4. \_\_\_\_\_
5. \_\_\_\_\_
6. \_\_\_\_\_

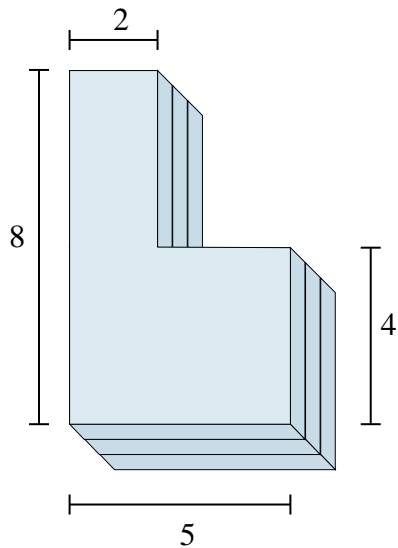




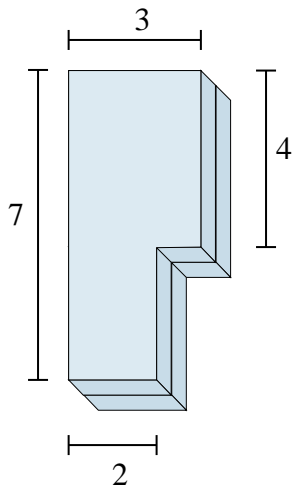
Find the total volume of each figure shown. Measured in cm (not to scale).

Answers

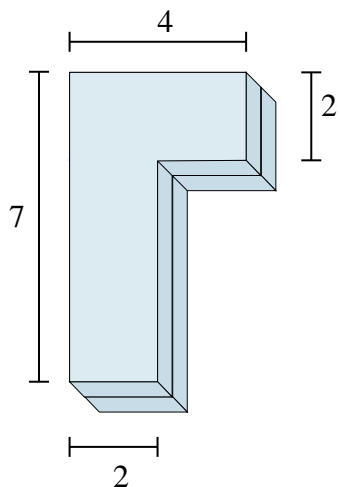
1)



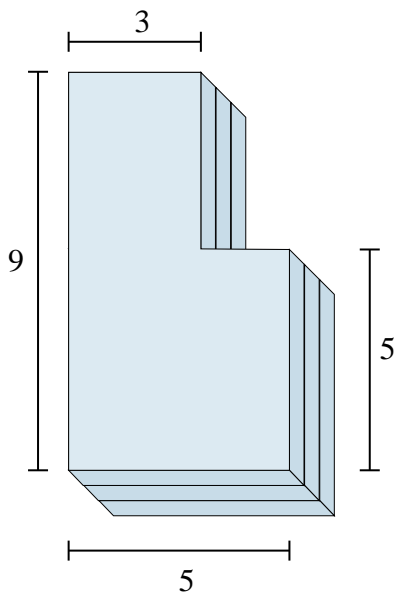
2)



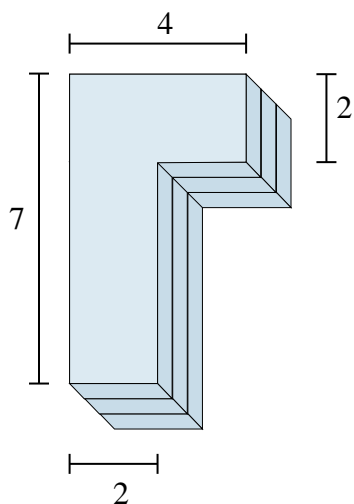
3)



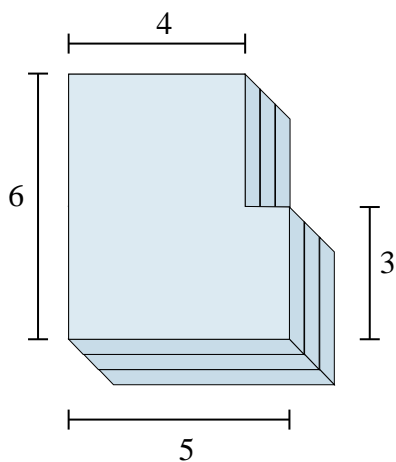
4)



5)



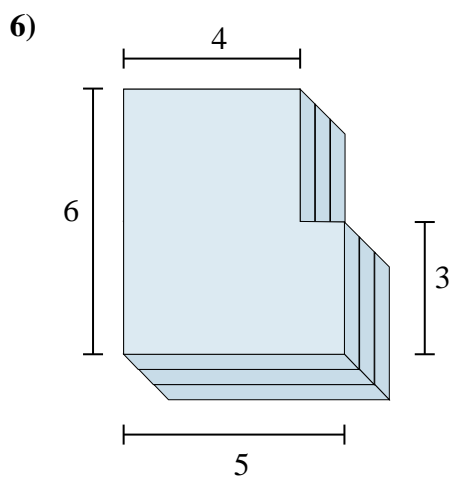
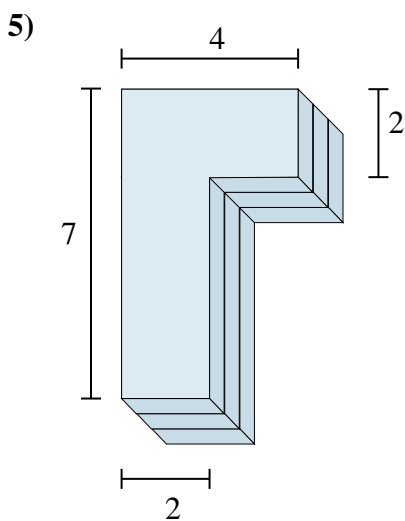
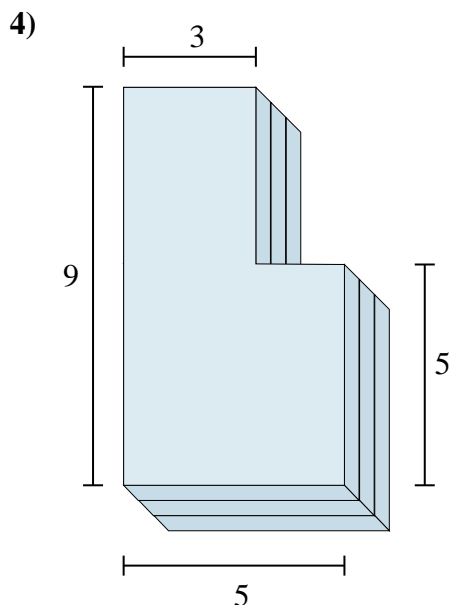
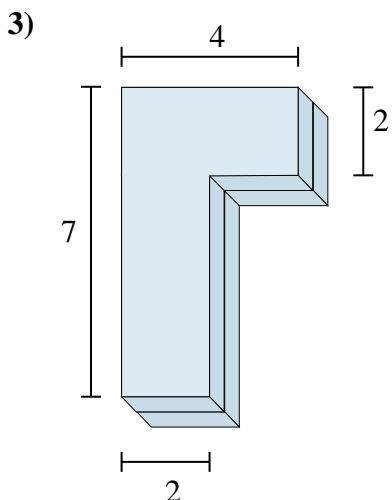
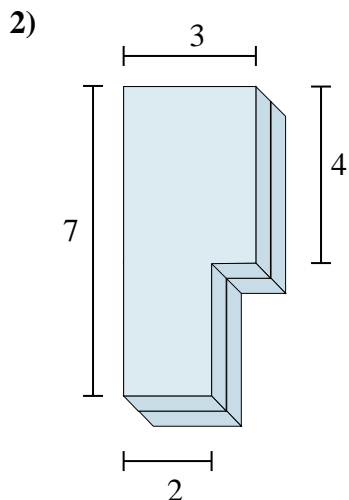
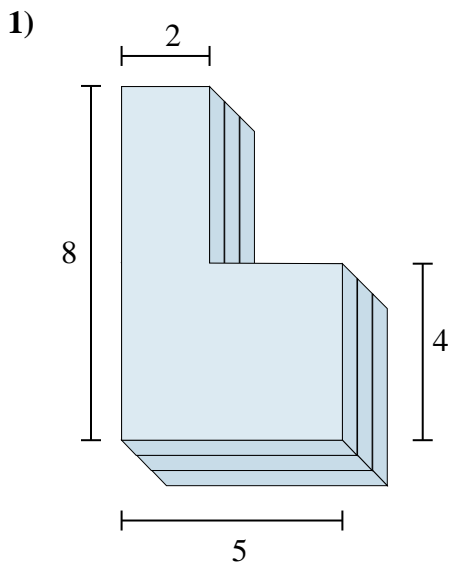
6)



- 1. \_\_\_\_\_
- 2. \_\_\_\_\_
- 3. \_\_\_\_\_
- 4. \_\_\_\_\_
- 5. \_\_\_\_\_
- 6. \_\_\_\_\_



Find the total volume of each figure shown. Measured in cm (not to scale).



Answers

1. 84 cm<sup>3</sup>

2. 36 cm<sup>3</sup>

3. 36 cm<sup>3</sup>

4. 111 cm<sup>3</sup>

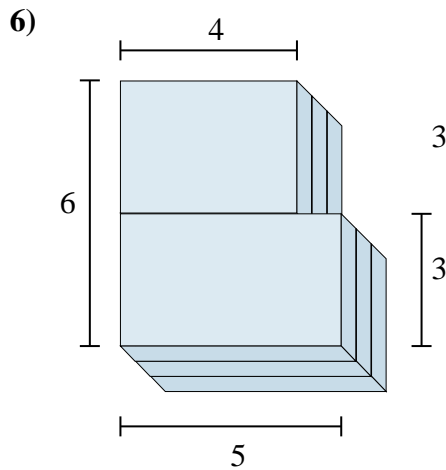
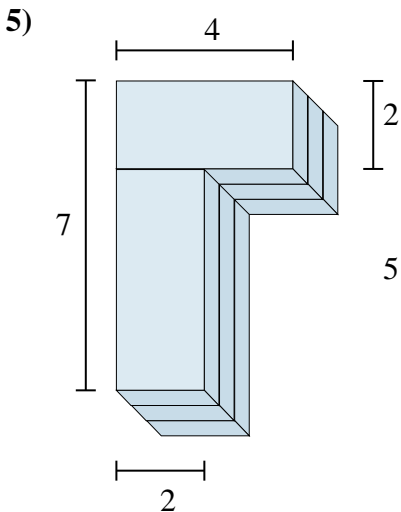
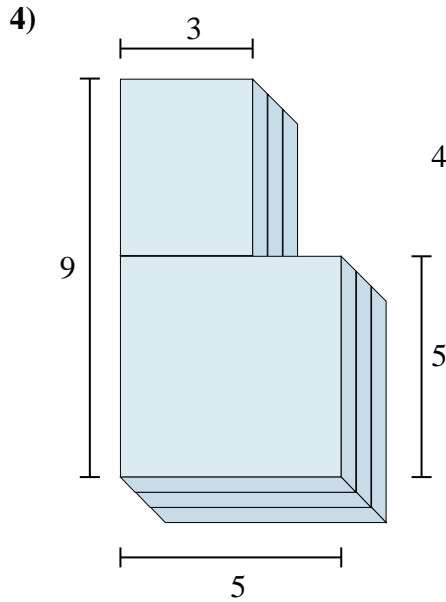
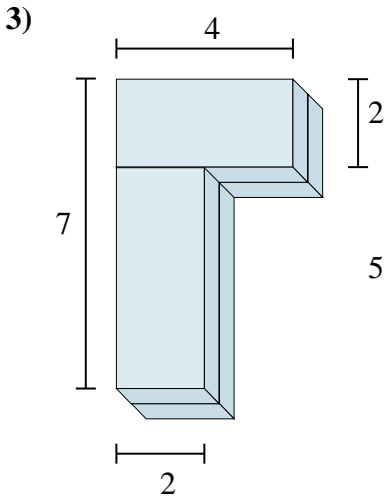
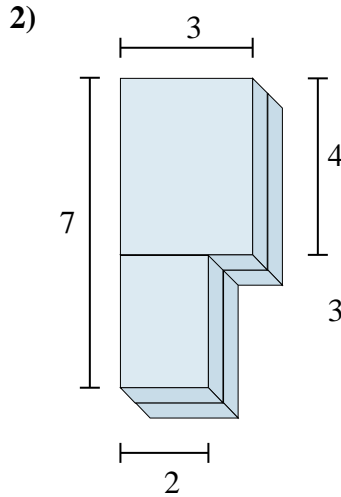
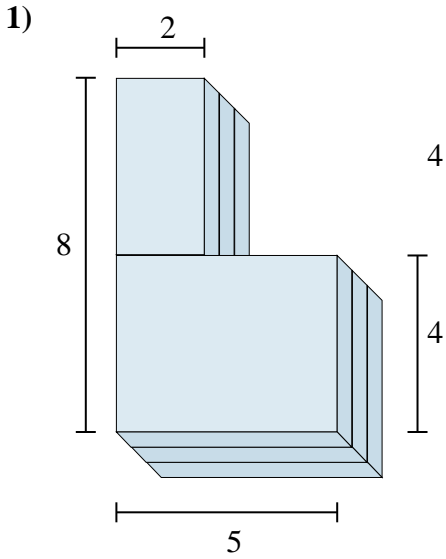
5. 54 cm<sup>3</sup>

6. 81 cm<sup>3</sup>



Find the total volume of each figure shown. Measured in cm (not to scale).

Answers

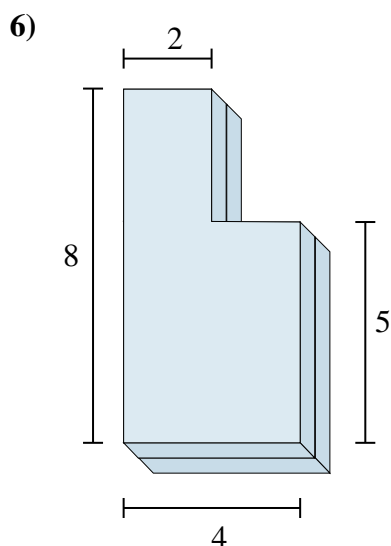
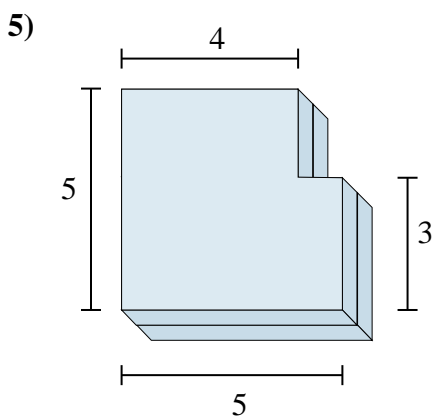
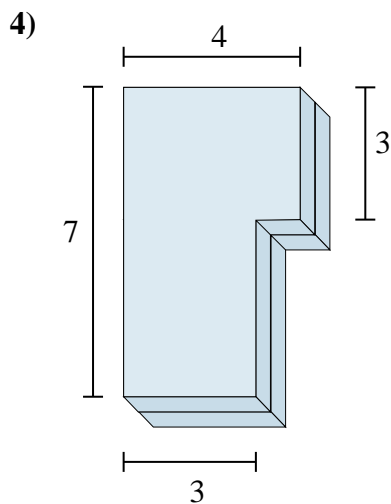
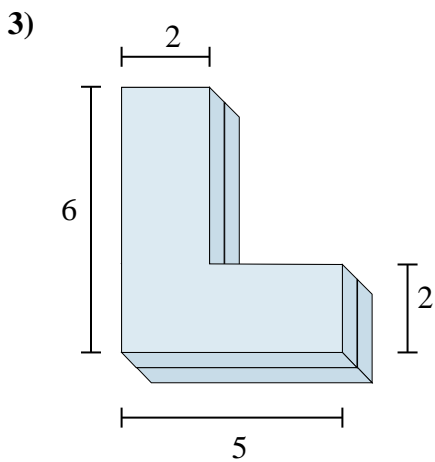
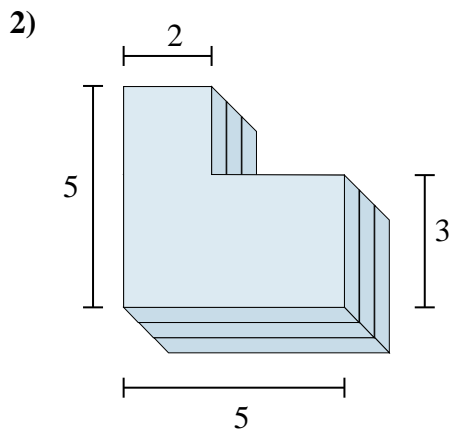
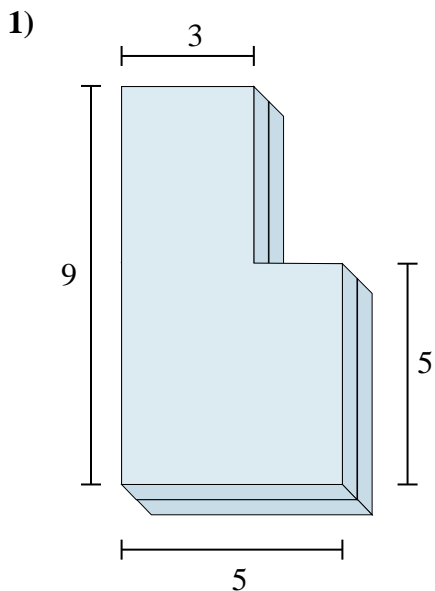


1. \_\_\_\_\_
2. \_\_\_\_\_
3. \_\_\_\_\_
4. \_\_\_\_\_
5. \_\_\_\_\_
6. \_\_\_\_\_



Find the total volume of each figure shown. Measured in cm (not to scale).

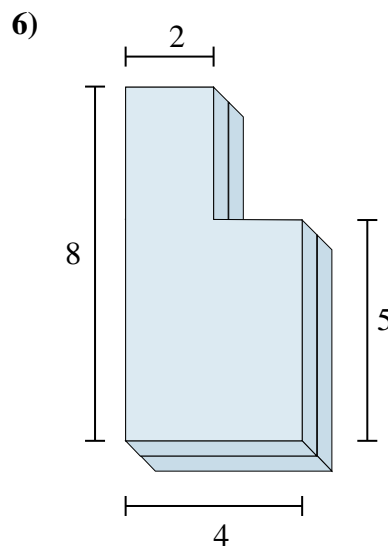
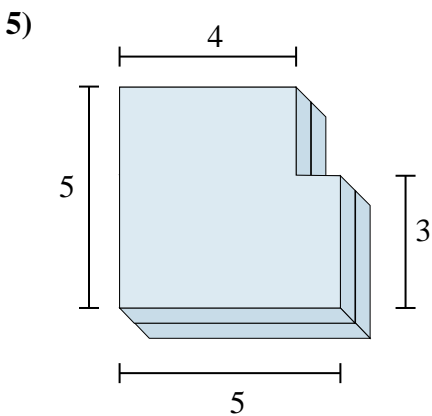
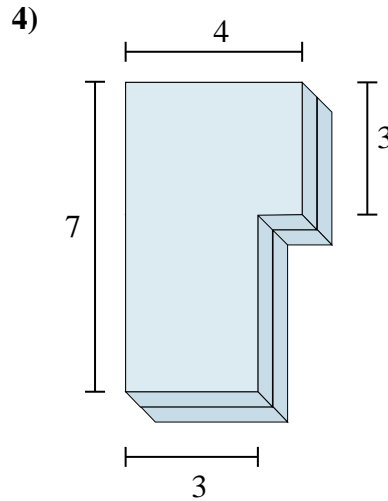
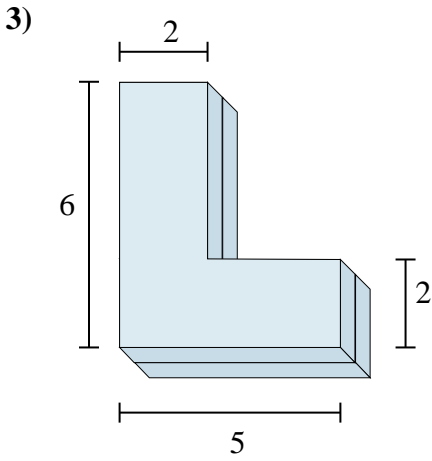
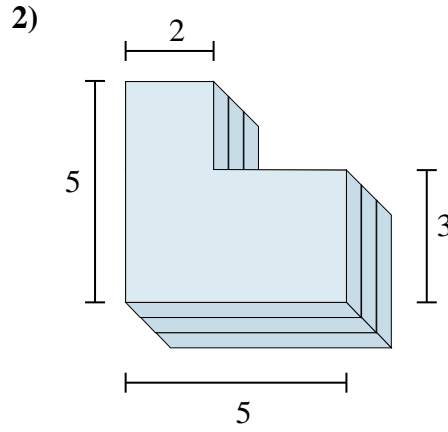
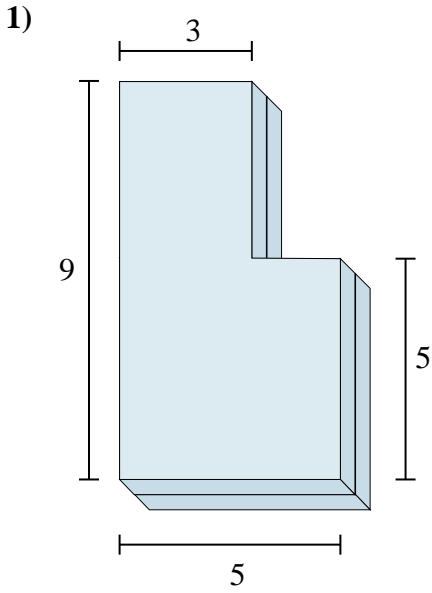
Answers



1. \_\_\_\_\_
2. \_\_\_\_\_
3. \_\_\_\_\_
4. \_\_\_\_\_
5. \_\_\_\_\_
6. \_\_\_\_\_



Find the total volume of each figure shown. Measured in cm (not to scale).



Answers

1. 74 cm<sup>3</sup>

2. 57 cm<sup>3</sup>

3. 36 cm<sup>3</sup>

4. 48 cm<sup>3</sup>

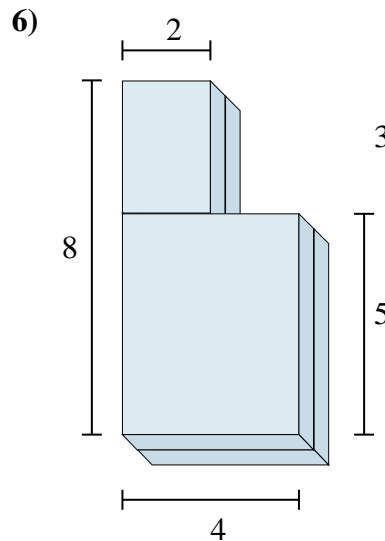
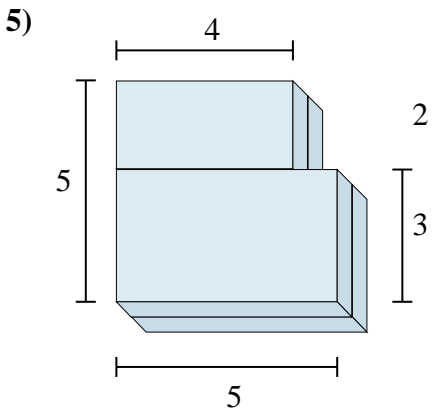
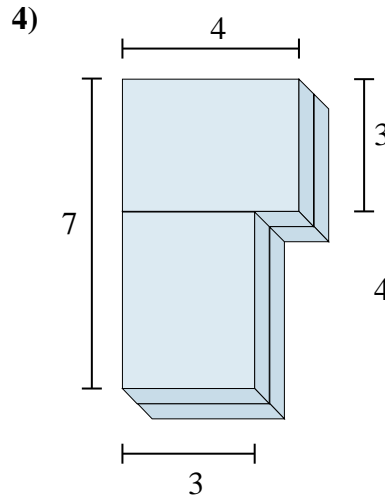
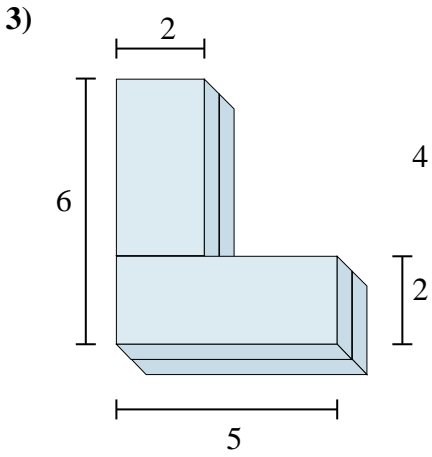
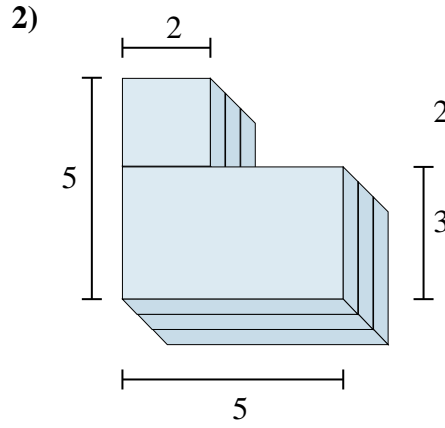
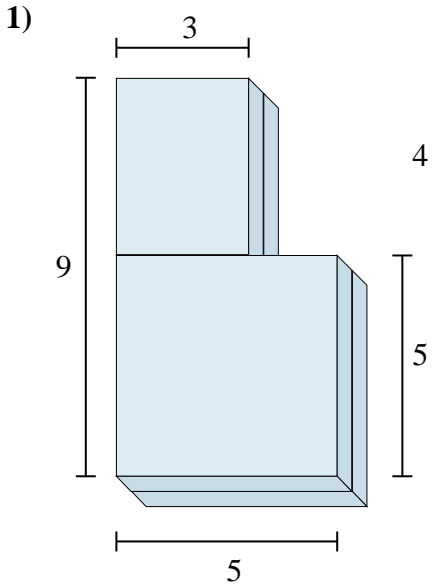
5. 46 cm<sup>3</sup>

6. 52 cm<sup>3</sup>



Find the total volume of each figure shown. Measured in cm (not to scale).

Answers



1. \_\_\_\_\_
2. \_\_\_\_\_
3. \_\_\_\_\_
4. \_\_\_\_\_
5. \_\_\_\_\_
6. \_\_\_\_\_