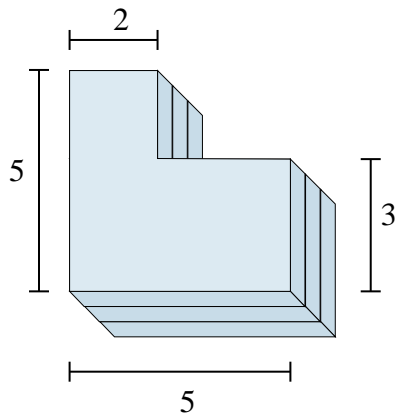




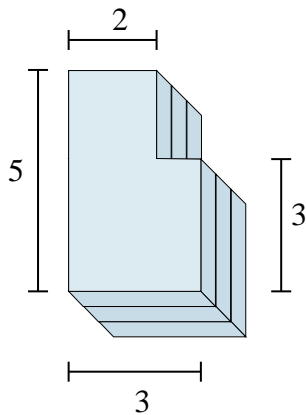
Find the total volume of each figure shown. Measured in cm (not to scale).

Answers

1)



2)



1. _____

2. _____

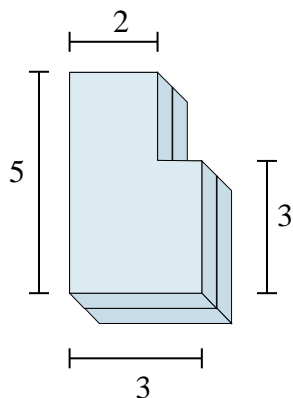
3. _____

4. _____

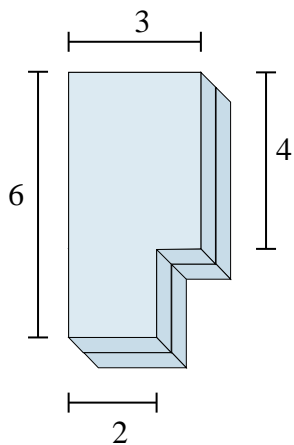
5. _____

6. _____

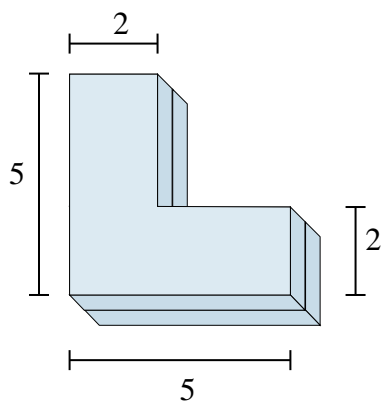
3)



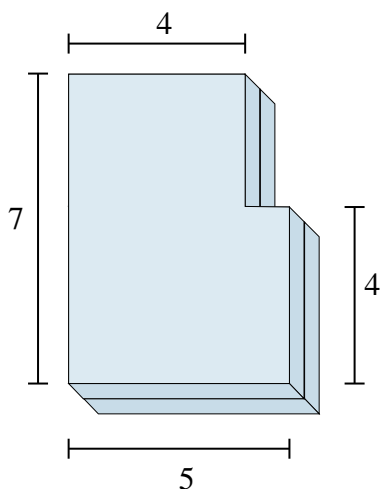
4)



5)

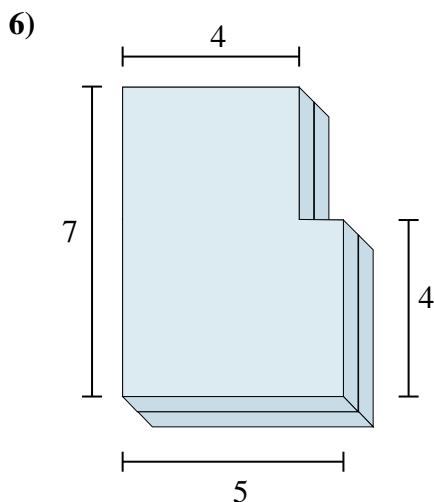
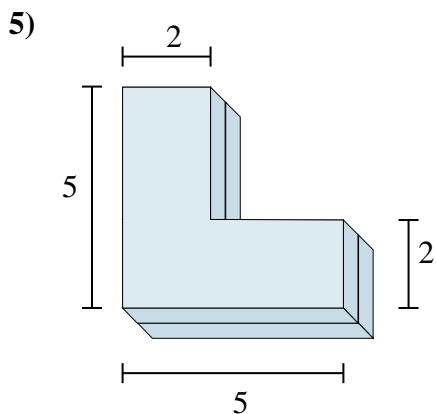
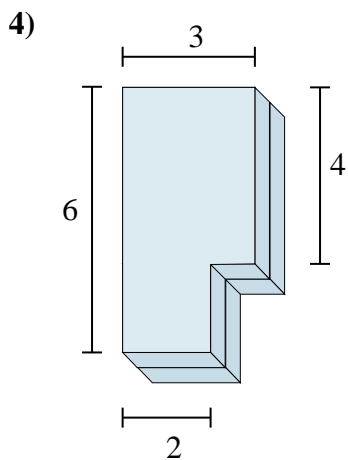
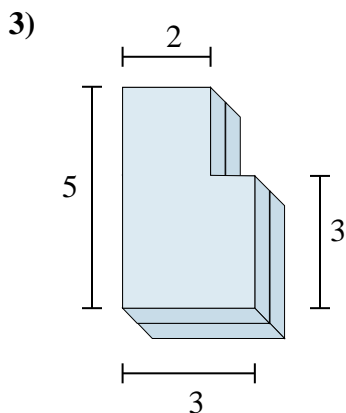
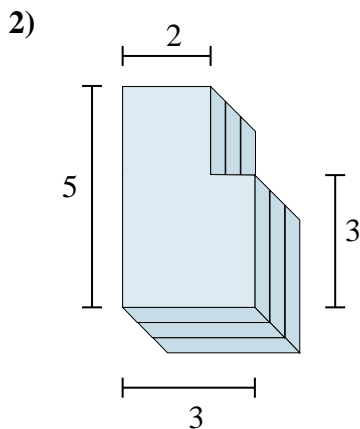
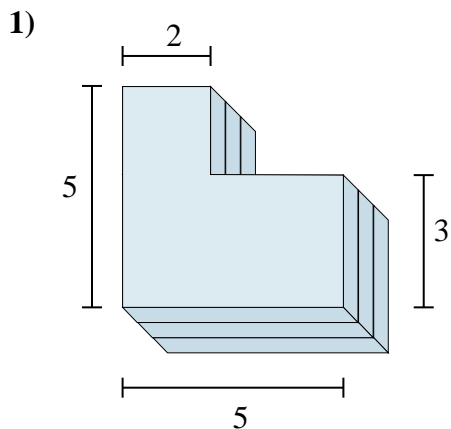


6)





Find the total volume of each figure shown. Measured in cm (not to scale).



Answers

1. **57 cm³**

2. **39 cm³**

3. **26 cm³**

4. **32 cm³**

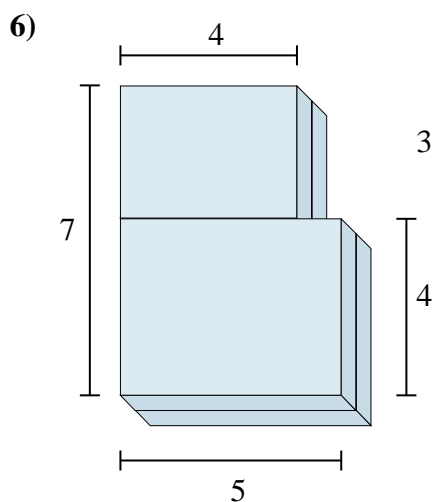
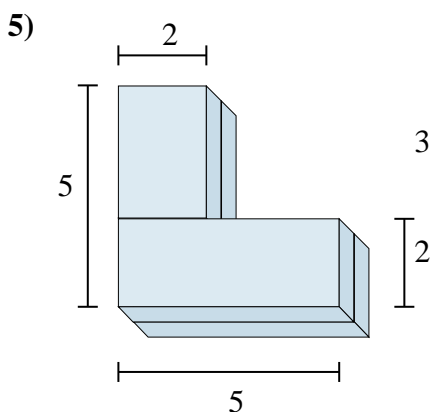
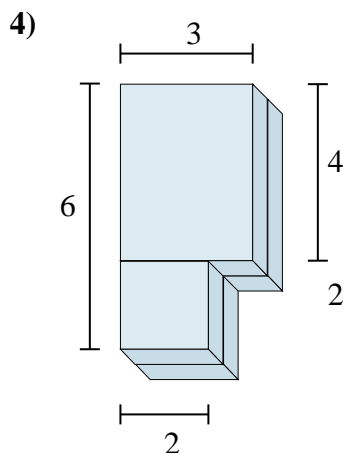
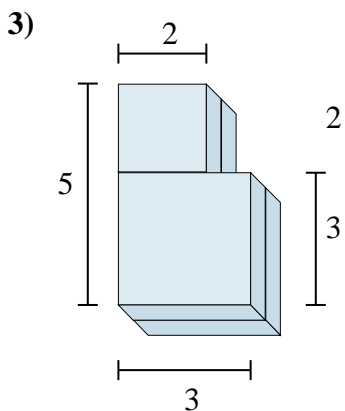
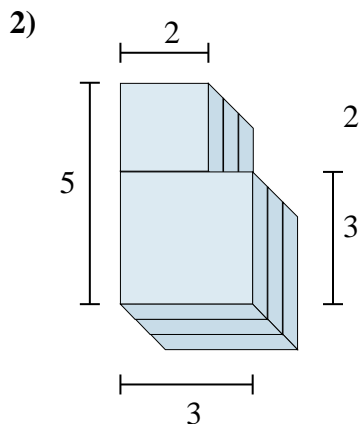
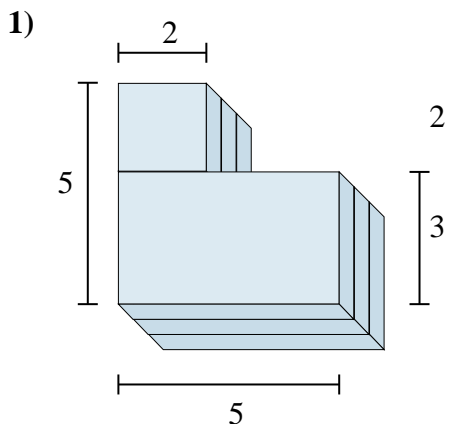
5. **32 cm³**

6. **64 cm³**



Find the total volume of each figure shown. Measured in cm (not to scale).

Answers



1. _____
2. _____
3. _____
4. _____
5. _____
6. _____